


DOUBLE THREAD STUD PRIGIONIERO DOPPIO FILETTO

"OLD" Part number	"NEW" Part number	B	C	A	E	D
68A	74A	15	52	74	12 X 1,25	12 X 1,25
82A	86A	15	64	86	12 X 1,25	12 X 1,25
100A	102A	15	80	102	12 X 1,25	12 X 1,25
68B	74B	15	52	74	12 X 1,5	12 X 1,25
82B	86B	15	64	86	12 X 1,5	12 X 1,25
100B	102B	15	80	102	12 X 1,5	12 X 1,25
68F	74F	15	52	74	14 X 1,5	14 X 1,5
82F	86F	15	64	86	14 X 1,5	14 X 1,5
100F	102F	15	80	102	14 X 1,5	14 X 1,5
71M	77M	15	52	77	14 X 1,25	14 X 1,5
80M	86M	15	64	86	14 X 1,25	14 X 1,5
90M	*102M	15	80	102	14 X 1,25	14 X 1,5
70OP	76OP	15	54	76	12 X 1,5	12 X 1,5
90OP	94OP	15	72	94	12 X 1,5	12 X 1,5
100OP	102OP	15	80	102	12 X 1,5	12 X 1,5

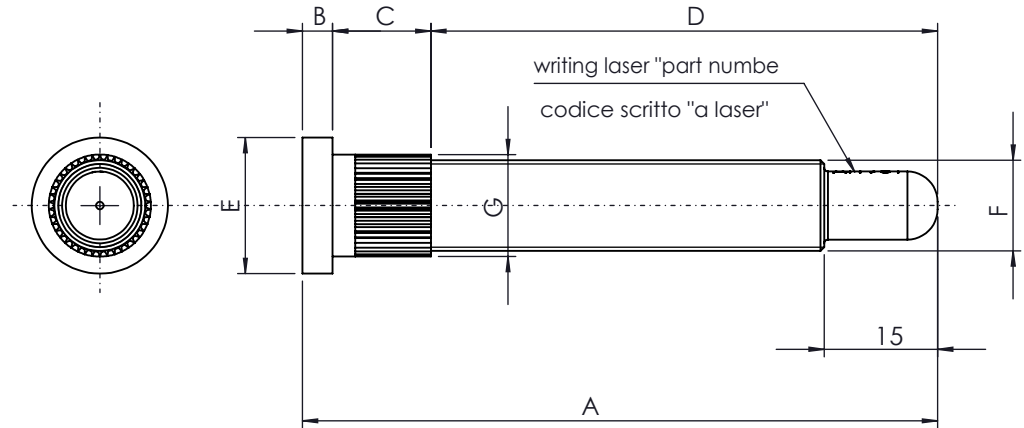
The "OLD PART" available only for minimum order of 200 pcs
 I codici "OLD PART" sono disponibili solo per ordini minimi di 200pz
 * MOQ Minimum order quantity 100 pcs
 * MOQ Minimo ordinabile 100 pz

REV	DATE	DESCRIPTION	DESIGNED	CHECKED	APPROVED
0	04/04/2017	ORIGINAL VERSION			
PFC.		WEIGHT	MATERIAL	Treatment	
			39NiCrMo3	OXIDATION BLACK COLOUR/ OSSIDAZIONE COLORE NERO	
DESCRIPTION			 advanced innovation technology		
DOUBLE THREAD STUD PRIGIONIERO DOPPIO FILETTO					



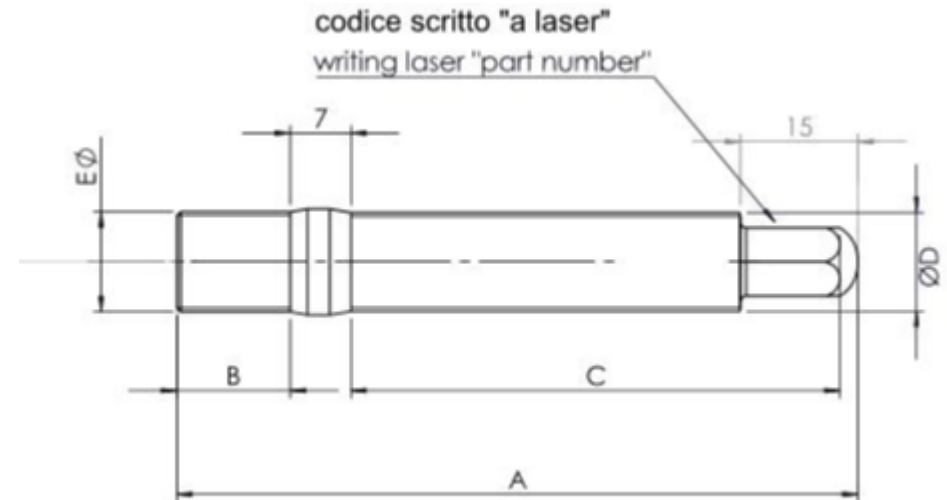
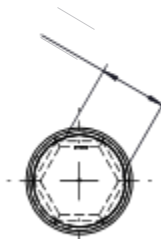
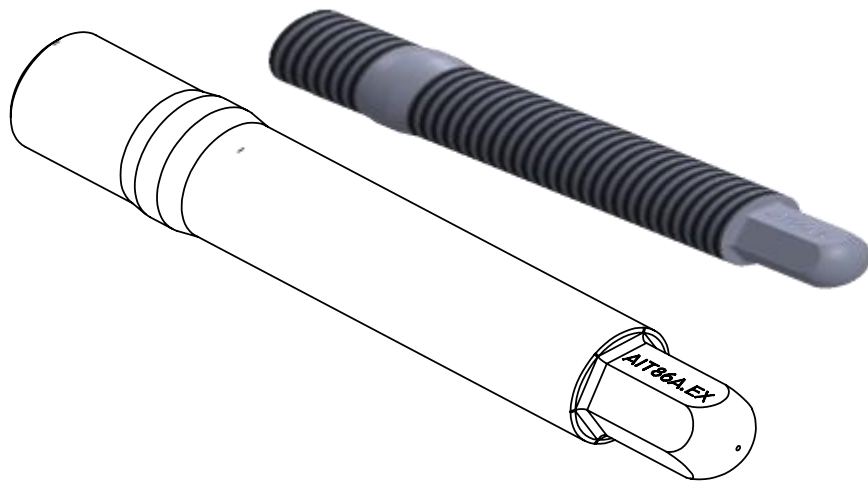
SPLINED THREAD STUD PRIGIONIERO CON MILLERIGHE A PIANTAGGIO

"OLD" Part number	"NEW" Part number	A	B	C	D	E	F	G
68C	74C	74	4	14	56	17	12 X 1,5	12,8
82C	86C	86	4	14	68	17	12 X 1,5	12,8
100C	102C	102	4	14	84	17	12 X 1,5	12,8
59D	*65D	65	3	10	52	19	12 X 1,25	12,4
55F	61F	61	5	15	41	35	14 X 1,5	14,9
75G	81G	81	4	11	66	20	14 X 1,5	14,3
100G	102G	102	5	13	87	20	14 X 1,5	14,8
64HY	*70HY	70	4	10	56	17	12 X 1,5	14,4
68H	74H	74	5	11	58	19	12 X 1,5	12,3
84J	*88J	88	5	7	75	17	1/2" UNF	13,4
61M	67M	67	4	8	55	20	12 X 1,5	14,7
65M	*71MZ	71	4	11	56	17	12 X 1,5	13
67MIT	73MIT	73	3	7	63	18	12 X 1,5	14,2
	*102MIT	102	5	13	87	20	12 X 1,5	14,2
62N	68N	68	5	7	56	20	12 X 1,25	14,2
64N	70N	70	4	10	56	19	12 X 1,25	12,8
74NSR	*80NSR	80	6	14	60	24	5/8"	17,5
108NSR	*110NSR	110	6	14	90	24	5/8"	17,5
66S	72S	72	5	10	57	19	12 X 1,25	14,5
68STR	74STR	74	9	15	50	24	14 X 1,5	16,9
73T	78T	78	5	9	64	18	12 X 1,5	14,3
70V	*76V	76	5	17	53	21	12 X 1,5	16,3
74V	*80V	80	4	13	63	18	15 X 1,5	13,5



The "OLD PART" available only for minimum order of 200 pcs
 I codici "OLD PART" sono disponibili solo per ordini minimi di 200pz
 * MOQ Minimum order quantity 100 pcs
 * MOQ Minimo ordinabile 100 pz

REV	DATE	DESCRIPTION	DESIGNED	CHECKED	APPROVED
0	04/04/2017	ORIGINAL VERSION			
PPC.	WEIGHT	MATERIAL	Treatment		
		39NiCrMo3	OXIDATION BLACK COLOUR/ OSSIDAZIONE COLORE NERO		
DESCRIPTION					
SPLINED THREAD STUD PRIGIONIERO CON MILLERIGHE A PIANTAGGIO					



DOUBLE THREAD HEXAGONAL HEAD STUD PRIGIONIERO DOPPIO FILETTO CON SEDE PER CHIAVE ESAGONALE

"NEW" Part number	EX	B	C	A	E	D
*74A.EX	8	15	53	74	12 X 1,25	12 X 1,25
*86A.EX	8	15	65	86	12 X 1,25	12 X 1,25
*102A.EX	8	15	81	102	12 X 1,25	12 X 1,25
*74B.EX	8	15	53	74	12 X 1,5	12 X 1,25
*86B.EX	8	15	65	86	12 X 1,5	12 X 1,25
*102B.EX	8	15	81	102	12 X 1,5	12 X 1,25
*74F.EX	10	15	53	74	14 X 1,5	14 X 1,5
*86F.EX	10	15	65	86	14 X 1,5	14 X 1,5
*102F.EX	10	15	81	102	14 X 1,5	14 X 1,5
*77M.EX	10	15	53	77	14 X 1,25	14 X 1,5
*86M.EX	10	15	65	86	14 X 1,25	14 X 1,5
*102M.EX	10	15	81	102	14 X 1,25	14 X 1,5
*76OP.EX	8	15	55	76	12 X 1,5	12 X 1,5
*94OP.EX	8	15	73	94	12 X 1,5	12 X 1,5
*102OP.EX	8	15	81	102	12 X 1,5	12 X 1,5




Chiave a bussola (8 oppure 10mm) ed asta con quadro scorrevole comprese nel Kit di 20 colonnette. Esempio per ordinare : AIT.BOX.74A.EX (Minimo ordine 5 BOX)

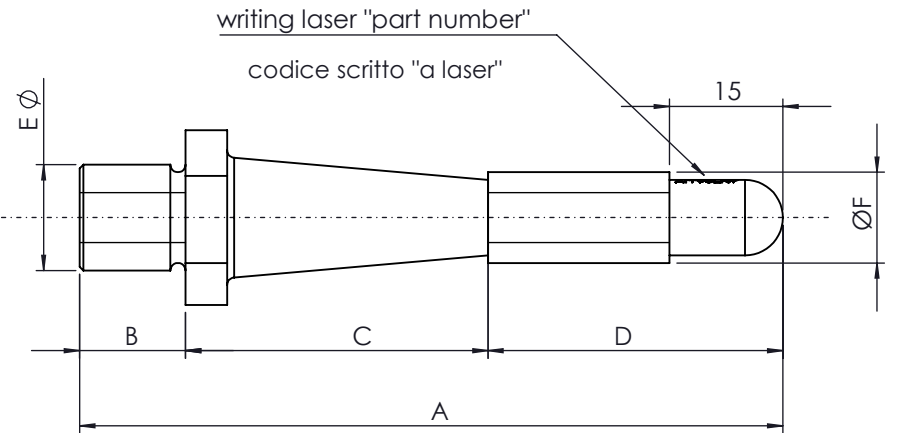
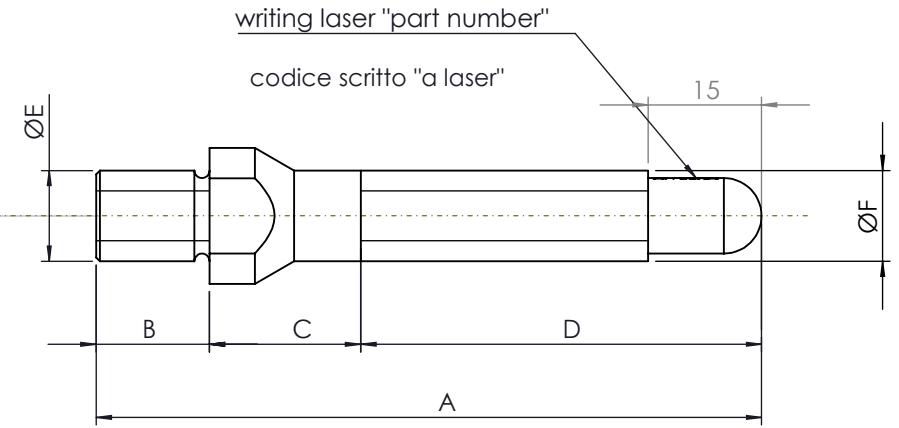
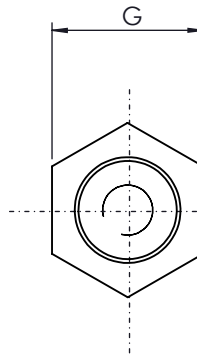
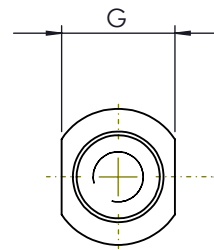
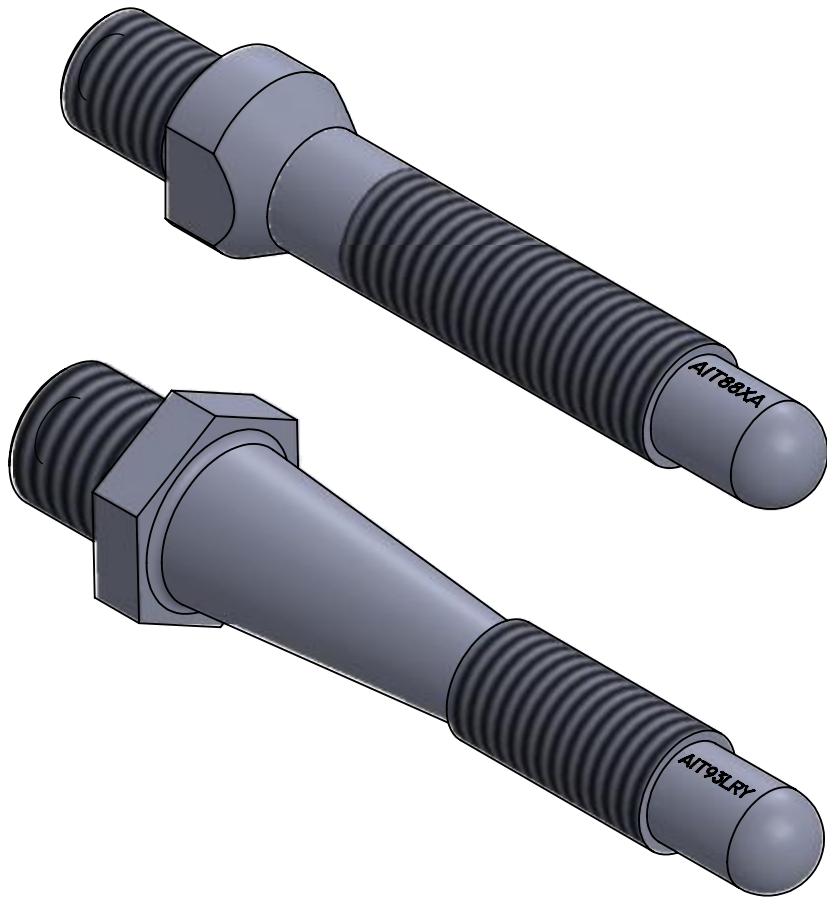
Square drive deep wall sockets (8 or 10mm) Studs. Reference to order

and Sliding T bar included in the kit of 20 in example : AIT.BOX.74A.EX (MOQ 5 BOX.)

* MOQ Minimum order quantity 100 pcs

* MOQ Minimo ordinabile 100 pz

REV	DATE	DESCRIPTION	DESIGNED	CHECKED	APPROVED
0	04/04/2017	ORIGINAL VERSION			
PFC.		WEIGHT	MATERIAL	Treatment	
			39NiCrMo3	OXIDATION BLACK COLOUR/ OSSIDAZIONE COLORE NERO	
DESCRIPTION			 advanced innovation technology		
DOUBLE THREAD HEXAGONAL STUD PRIGIONIERO DOPPIO FILETTO CON SEDE PER CHIAVE ESAGONALE					



DOUBLE THREAD XAB STUD PRIGIONIERO DOPPIO FILETTO XAB

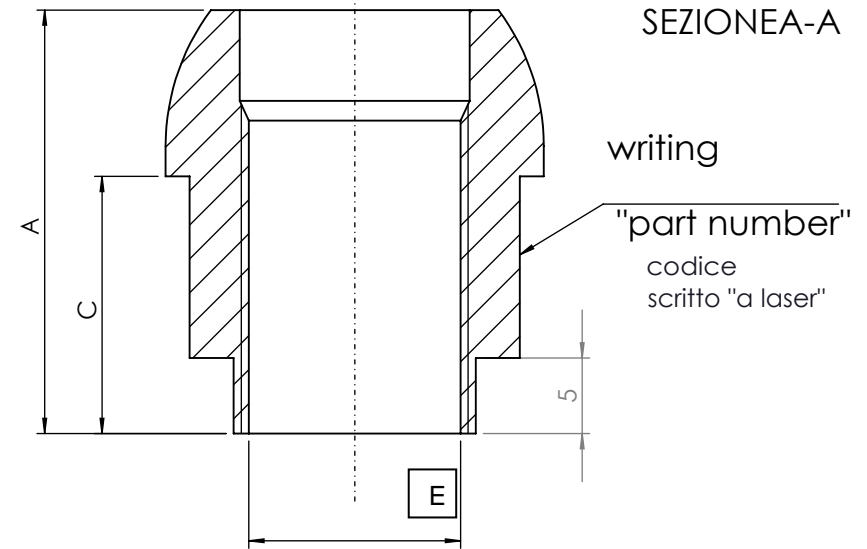
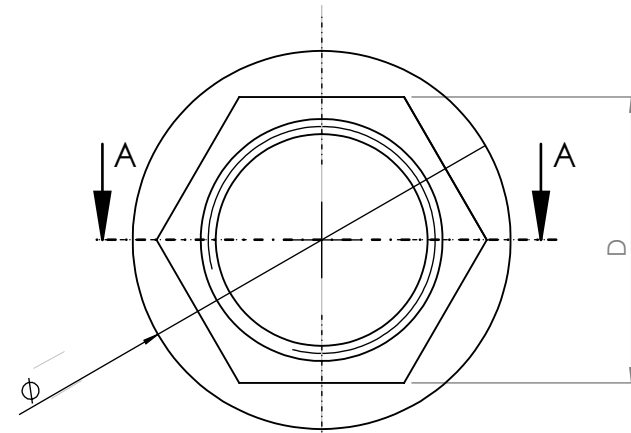
"OLD" Part number	"NEW" Part number	A	B	C	D	E	F	G
82XA	*88XA	88	13	12	63	12 X 1,25	12 X 1,25	18 X 1,5
82XB	*88XB	88	13	12	63	12 X 1,5	12 X 1,25	18 X 1,5
87LRY	93LRY	93	13	41	39	14 X 1,5	12 X 1,25	E20

The "OLD PART" available only for minimum order of 200 pcs
 I codici "OLD PART" sono disponibili solo per ordini minimi di 200pz
 * MOQ Minimum order quantity 100 pcs
 * MOQ Minimo ordinabile 100 pz

0	04/04/2017	ORIGINAL VERSION			
REV	DATE	DESCRIPTION	DESIGNED	CHECKED	APPROVED
PFC.	WEIGHT	MATERIAL	Treatment		
		39NiCrMo3	OXIDATION BLACK COLOUR/ OSSIDAZIONE COLORE NERO		

DESCRIPTION
**DOUBLE THREAD XAB STUD
 PRIGIONIERO DOPPIO FILETTO XAB**






* Treatment / Trattamento
 Copper Plating / Ramato
 Black Deep Anodizing / Ossidazione profonda nero lucida

Antioxide Black / Antiossidante nero (DADO.BLK)

** .BLK MOQ Minimum order q.ty 500 pcs /
 MOQ Minimo ordinabile 500 pz

SPHERICAL SEAT NUT / DADO SEDE SFERICA						NEWS (**.BLK)		
Part number	A	B	C	D	E	Material	* Treatment / Trattamento	* Treatment / Trattamento
DADO5	28	25	17	19	14 X 1.5	11SMnPb37	Copper Plating	Antioxide Black
DADO7	27	25	17	17	12 X 1.25	11SMnPb37	Copper Plating	Antioxide Black
DADO8	27	25	15	17	12 X 1.25	11SMnPb37	Copper Plating	Antioxide Black
DADO19	27	25	17,5	17	12 X 1.5	11SMnPb37	Copper Plating	Antioxide Black
DAAL8	31	25	20	19	14 X 1.5	Ergal	Anodizing	

			SEE TABLE / VEDI TABELLA
			Treatment
SPHERICAL SEAT NUT DADO SEDE SFERICA			 <small>advanced innovation technology</small>



* Treatment / Trattamento

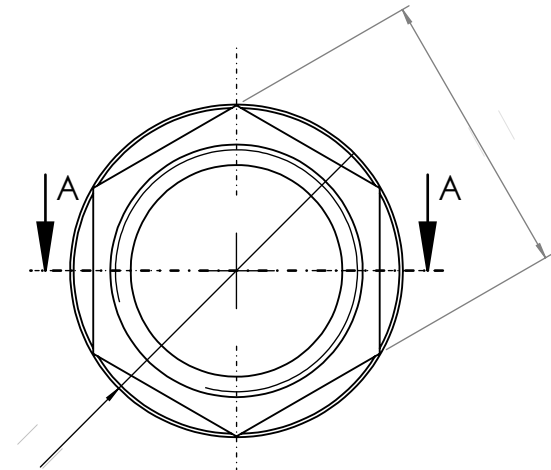
Copper Plating / Ramato

Black Deep Anodizing / Ossidazione profonda nero lucida

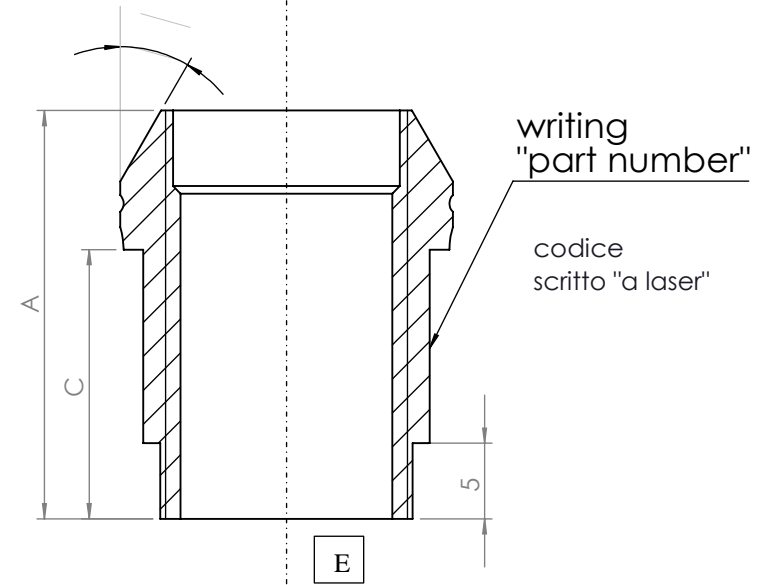
Antioxide Black / Antiossidante nero (DADO.BLK)

* MOQ Minimum order quantity 100 pcs / * MOQ Minimo ordinabile 100 pz

** .BLK MOQ Minimum order q.ty 500 pcs / MOQ Minimo ordinabile 500 pz

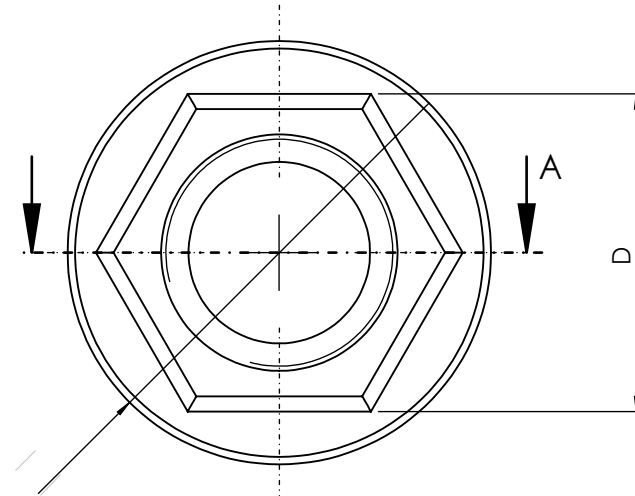
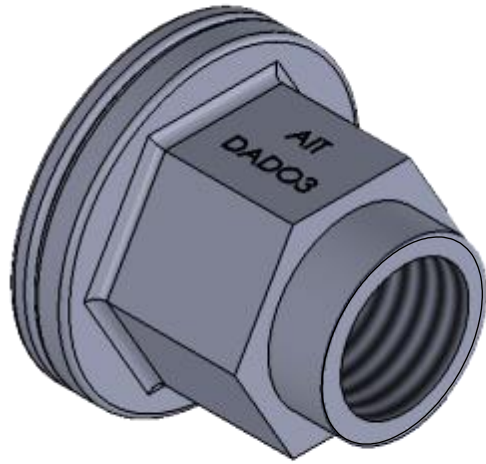


SEZIONE A-A

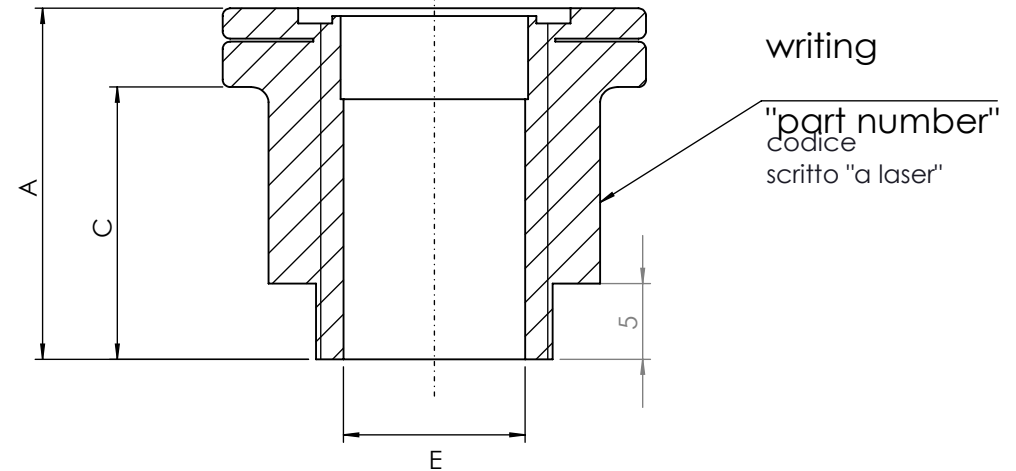


CONICAL SEAT NUT / DADO SEDE CONICA							NEWS (**.BLK)	
Part number	A	B	C	D	E	Material	* Treatment / Trattamento	* Treatment / Trattamento
DADO	27	23	14	19	12 x 1,25	11SMnPb37	Copper Plating	Antioxide Black
DADO1	27	23	14	19	12 x 1,5	11SMnPb37	Copper Plating	Antioxide Black
DADO2	28	28	13	19	12 x 1,5	11SMnPb37	Copper Plating	Antioxide Black
DADO4	27	25	16	22	14 x 1,5	11SMnPb37	Copper Plating	Antioxide Black
DADO6	27	25	16	19	14 x 1,5	11SMnPb37	Copper Plating	Antioxide Black
DADO9	27	25	15	17	12 x 1,25	11SMnPb37	Copper Plating	Antioxide Black
DADO10	34	23	20	19	12 x 1,5	11SMnPb37	Copper Plating	Antioxide Black
DADO11	34	23	20	19	12 x 1,25	11SMnPb37	Copper Plating	Antioxide Black
DADO12	28.5	28	16	19	12 x 1,5	11SMnPb37	Copper Plating	Antioxide Black
* DADO15	27	25	16	3/4"	1/2UNF	11SMnPb37	Copper Plating	Antioxide Black
* DADO16	27	25	16	19	14 X 1.25	11SMnPb37	Copper Plating	Antioxide Black
DADO18	25	23	15.5	17	12 X 1,5	11SMnPb37	Copper Plating	Antioxide Black
DAAL	27	22	19	19	12 X 1,25	Ergal	Anodizing	
DAAL1	27	22	19	19	12 X 1,5	Ergal	Anodizing	
DAAL2	34	22	20	19	12 X 1,25	Ergal	Anodizing	
DAAL3	34	22	20	19	12 X 1,5	Ergal	Anodizing	
DAAL6	27	25	16	19	14 X 1,5	Ergal	Anodizing	
DAAL11	28	28	13	19	12 X 1,5	Ergal	Anodizing	
DAAL15	27	25	16	3/4"	1/2 UNF	Ergal	Anodizing	

0	04/04/2017	ORIGINAL VERSION			
REV	DATE	DESCRIPTION	DESIGNED	CHECKED	APPROVED
PFC.	WEIGHT	MATERIAL	Treatment		
		SEE TABLE / VEDI TABELLA	SEE TABLE / VEDI TABELLA		
DESCRIPTION					
CONICAL SEAT NUT DADO SEDE CONICA					



SEZIONE A-A



* Treatment / Trattamento
Copper Plating / Ramato

Antioxide Black / Antiossidante nero (DADO.BLK)
* * **.BLK** MOQ Minimum order q.ty 500 pcs /
MOQ Minimo ordinabile 500 pz

FLAT SEAT NUT / DADO SEDE PIATTA								NEWS (**.BLK)
Part number	A	B	C	D	E	Material	* Treatment / Trattamento	* Treatment / Trattamento
DADO3	29	28	21	19	12 x 1.25	11SMnPb37	Copper Plating	Antioxide Black

REV	DATE	DESCRIPTION	DESIGNED	CHECKED	APPROVED
PFC.	WEIGHT	MATERIAL	Treatment		
SEE TABLE / VEDI TABELLA			SEE TABLE / VEDI TABELLA		

DESCRIPTION
FLAT SEAT NUT
DADO SEDE PIATTA

