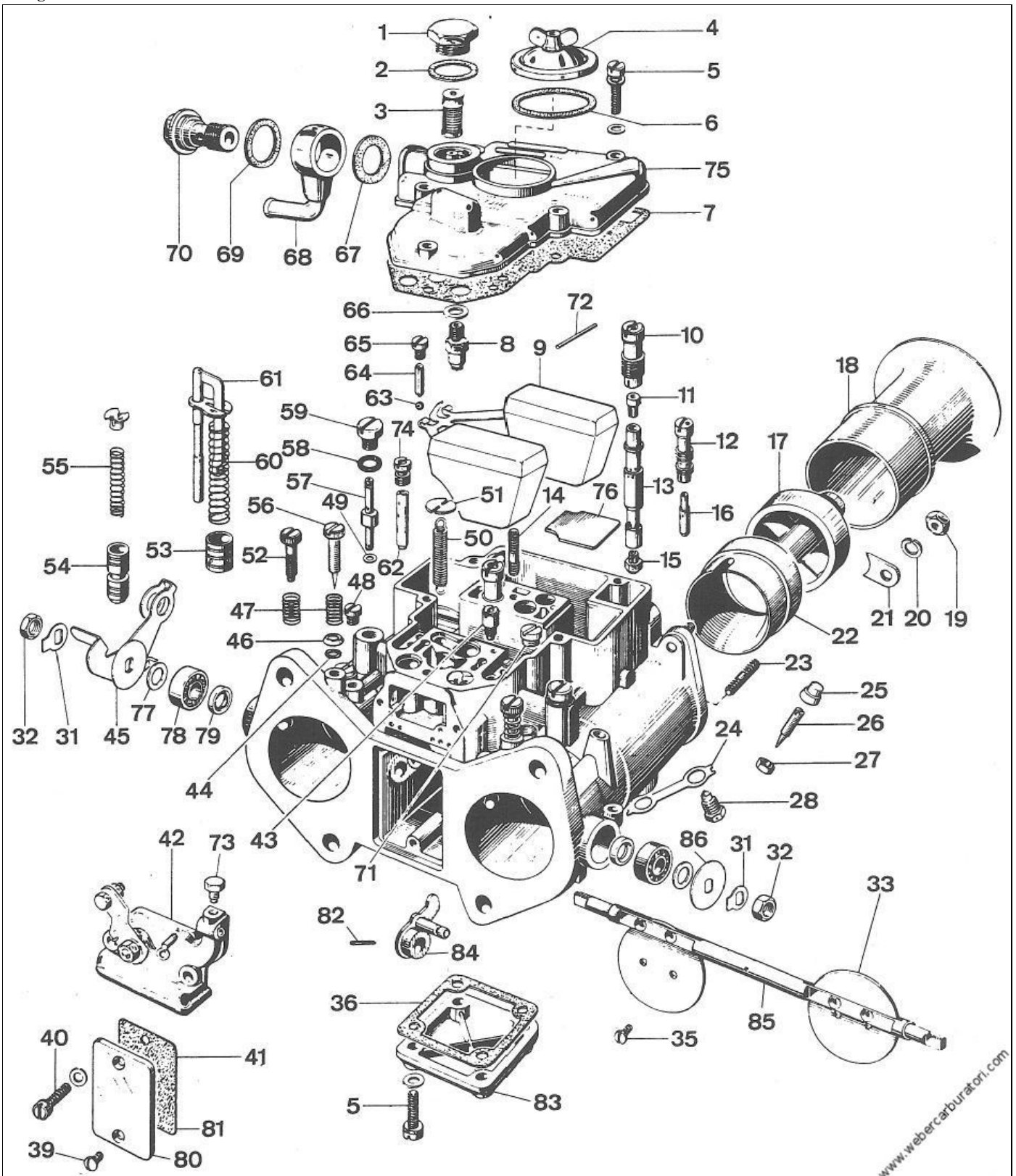


## Parts

Fig.	Qty	Description	Code	Fig.	Qty	Description	Code
1	1	Filter Cover	61002.010	48	2	Vacuum Take-Off Cover	64590.008
2	1	Filter Cover Gasket	41530.024 M	49	2	Pump Jet Gasket	41535.021 M
3	1	Filter Element	37022.002 M	50	1	Spring	47605.012
4	1	Jet Inspection Cover	32376.003	51	1	Spring Anchor Plate	52210.006
5	9	Screw	64700.001	52	1	Throttle Stop Screw	64625.012
6	1	Jet Inspection Cover Gasket	41550.002 M	53	1	Pump Plunger	58602.003
7	1	Top Cover Gasket	41715.011 M	54	2	Starter Valve	64330.003
8	1	Needle Valve	79503.200 M	55	2	Starter Valve Spring	47600.105
9	1	Float	41030.034	56	2	Idle Mixture Screw	64750.003
10	2	Emulsion Tube Holder	52580.001	57	2	Pump Jet	76801.045
11	2	Air Corrector Jet	77401.155	58	2	Pump Jet 'O' Ring	41565.009 M
12	2	Idle Jet Holder	52585.006	59	2	Pump Jet Cover	61015.008
13	2	Emulsion Tube	61450.181	60	1	Pump Rod Spring	47600.064
14	1	Stud	64955.007	61	1	Pump Rod	10410.015
15	2	Main Jet	73401.145	62	2	Starter Jet	75507.085
16	2	Idle Jet	74821.055	63	2	Pump Demand Valve Ball	58300.003
17	2	Auxiliary Venturi	69602.450	64	2	Pump Valve Weight	52730.001
18	2	Air Horn	52840.001	65	2	Pump Demand Valve Cover	61015.006
19	4	Air Horn Fixing Nut	34705.004	66	1	Needle Valve Gasket	83102.120 M
20	4	Spring Washer	55525.010	67	1	Fuel Union Gasket	41530.031 M
21	4	Air Horn Tab	52150.004	68	1	Fuel Union	10536.035
22	2	Venturi (Choke Tube)	72116.360	69	1	Fuel Union Gasket	41530.024 M
23	4	Stud	64955.110	70	1	Fuel Union Bolt	12715.008
24	2	Lock Washer	52155.003	71	2	Progression Hole Inspection Cover	61015.009
25	2	Air By-Pass Screw Cap	14945.003				
26	2	Air By-Pass Screw	64750.002	72	1	Float Pin	52000.001 R
27	2	By-Pass Screw Lock Nut	34705.001	73	1	Choke Cable Clamp	64605.017
28	2	Locking Screw	64840.003	74	2	Starter Air Jet	77505.150
31	2	Lock Washer	55520.004 R	75	1	Carburettor Top Cover	31734.198
32	2	Throttle Spindle Nut	34710.003	76	1	Plate	52130.003
33	2	Throttle Plate	64005.084	77	2	Washer	55510.128
35	4	Throttle Plate Screw	64520.027	78	2	Bearing	32650.001
36	1	Bottom Cover Gasket	41640.001 R	79	2	'O' Ring	41575.019
39	2	Inspection Cover Fixing Screw	64750.009	80	1	Inspection Cover	52135.024
40	2	Choke Cover Fixing Screw	64700.004	81	1	Gasket	41640021
41	1	Pump Cover Gasket	41640.021 R	82	1	Pin	58445.001
42	1	Choke Cover	32556.018	83	1	Cover	32374.008
43	1	Pump Spill	79701.040	84	1	Pump Cam	45082.005
44	2	Idle Mixture Screw 'O' Ring	41565.002 M	85	1	Throttle Spindle	10005.447
45	1	Throttle Lever	45048.007	86	1	Washer	55555.010
46	2	Idle Mixture Screw Cup Washer	58000.006				
47	3	Spring	47600.007	M + R		Service Kit	92.1514.05.01

Figure



**Calibration**

Choke	36	Spark Advance Orifice	N/A
Auxiliary Venturi	4.5	Progression Holes	120/100/80
Main Jet	145	Throttle Plate Angle	78°
Air Corrector Jet	155	Needle Valve	200
Emulsion Tube	F16	Pump Jet	45
Idle Jet	55/F8	Pump Spill	40
Idle Mixture Orifice/Bush	100	Float Level	12 mm