
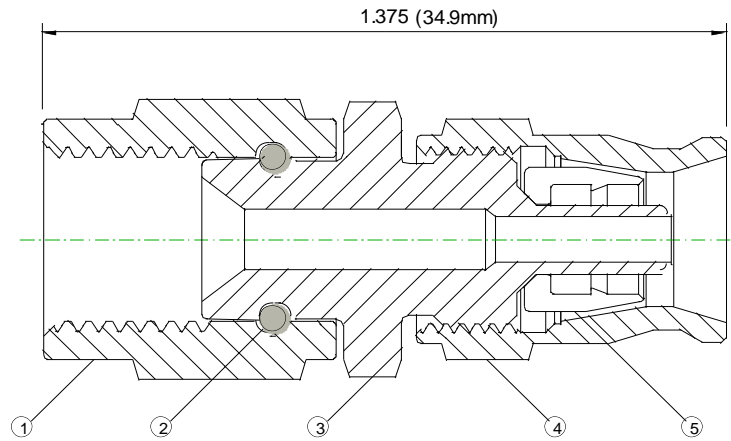
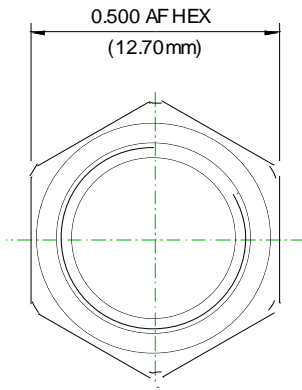


-3 200 SERIES- STRAIGHT HOSE END - STEEL

 **A4**  
3RD ANGLE PROJECTION



NET WEIGHT OF THIS ASSEMBLY IS 21 GRAMS

5	1	C299-03	OLIVE	AL ALLOY	RAW
4	1	C2000-03	SOCKET	STEEL	NICKLE PLATED
3	1	C201-03	CENTRE NIPPLE	STEEL	NICKLE PLATED
2	1	CW-W03	WIRE NUT WIRE	S. STEEL	POLISHED
1	1	C2001-03	WIRE NUT 3/8" x 24 UNF	STEEL	NICKLE PLATED
<b>MK#</b>	<b>QTY</b>	<b>PART#</b>	<b>DESCRIPTION</b>	<b>MATERIAL</b>	<b>SURFACE CONDITION</b>

**SPEED FLOW PRODUCTS PTY LTD**

MAX 3D  
V14

Drg No: 201-03

Drg Date: 02/01/2013

**201-03**