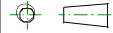
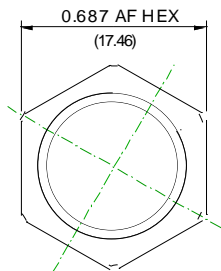
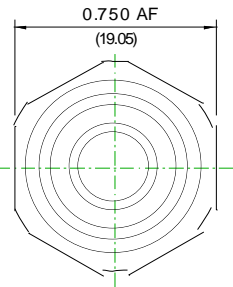
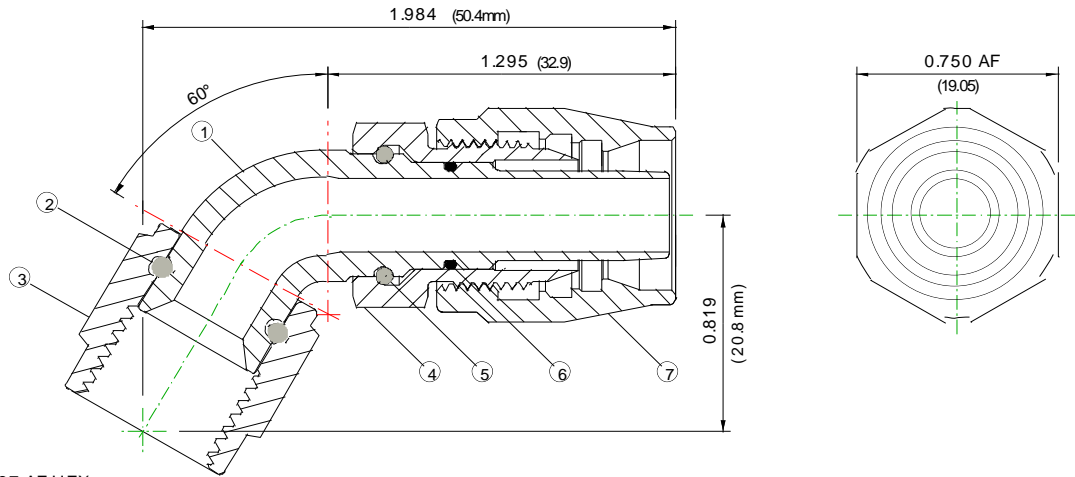


-6 100 SERIES - 60° HOSE END

 **A4**
3RD ANGLE PROJECTION



NETWEIGHT OF THIS ASSEMBLY IS 23.5 GRAMS

7	1	C1000-06	SOCKET	AL ALLOY	ANODIZED
6	1	COM08	O RING M8 x 1.0	NITRILE	OILED
5	1	CW-S06	SWIVEL CUTTER WIRE	St STEEL	POLISHED
4	1	C1030-06	SWIVEL CUTTER	AL ALLOY	ANODIZED
3	1	C1001-06	WIRE NUT 9/16x18 UNF	AL ALLOY	ANODIZED
2	1	CW-W06	WIRE NUT WIRE	St STEEL	POLISHED
1	1	C108-06	60° CENTRE NIPPLE	AL ALLOY	HARD COAT ANODIZED
MK#	QTY	PART#	DESCRIPTION	MATERIAL	SURFACE CONDITION

SPEED FLOW PRODUCTS PTY LTD

MAX 3D
V14

Drg No: 108-06

Drg Date: 24/01/2013

108-06