
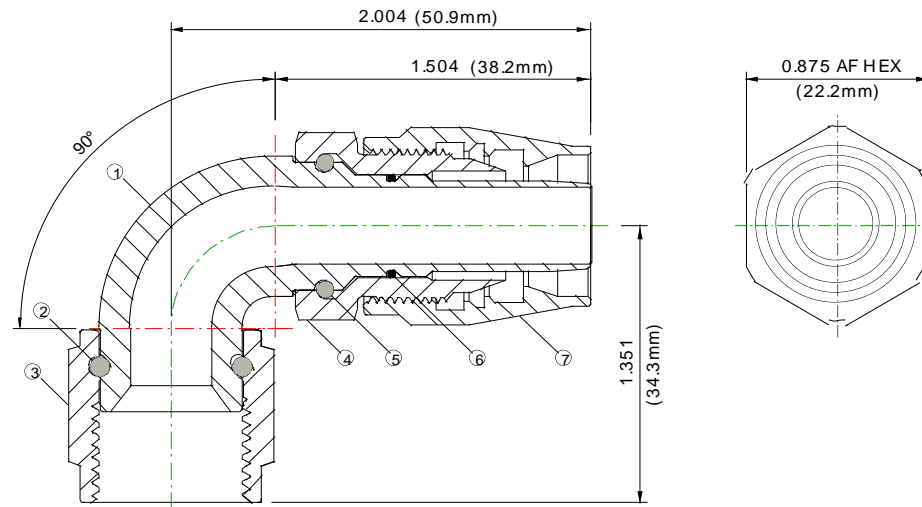
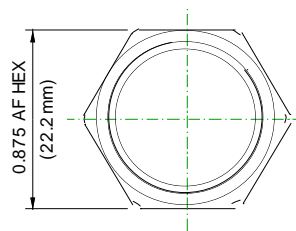


-8 100 SERIES - 90° HOSE END

 **A4**
3RD ANGLE PROJECTION



NETWEIGHT OF THIS ASSEMBLY IS 69.0 GRAMS



7	1	C1000-08	SOCKET	AL ALLOY	ANODIZED
6	1	COM-11	ORING M11 x 1.0	NITRILE	OILED
5	1	CW-S08	SWIVELCUTTER WIRE	St. STEEL	POLISHED
4	1	C1030-08	SWIVELCUTTER	AL ALLOY	ANODIZED
3	1	C1001-08	WIRE NUT 3/4" x 16 UNF	AL ALLOY	ANODIZED
2	1	CW-W08	WIRE NUT WIRE	St STEEL	POLISHED
1	1	C103-08	CENTRE NIPPLE	AL ALLOY	HARD COAT ANODIZED
MK #	QTY	PART#	DESCRIPTION	MATERIAL	SURFACE CONDITION

SPEED FLOW PRODUCTS PTY LTD

MAX 3D
V14

Drg No: 103-08

Drg Date: 15/03/2013

103-08