
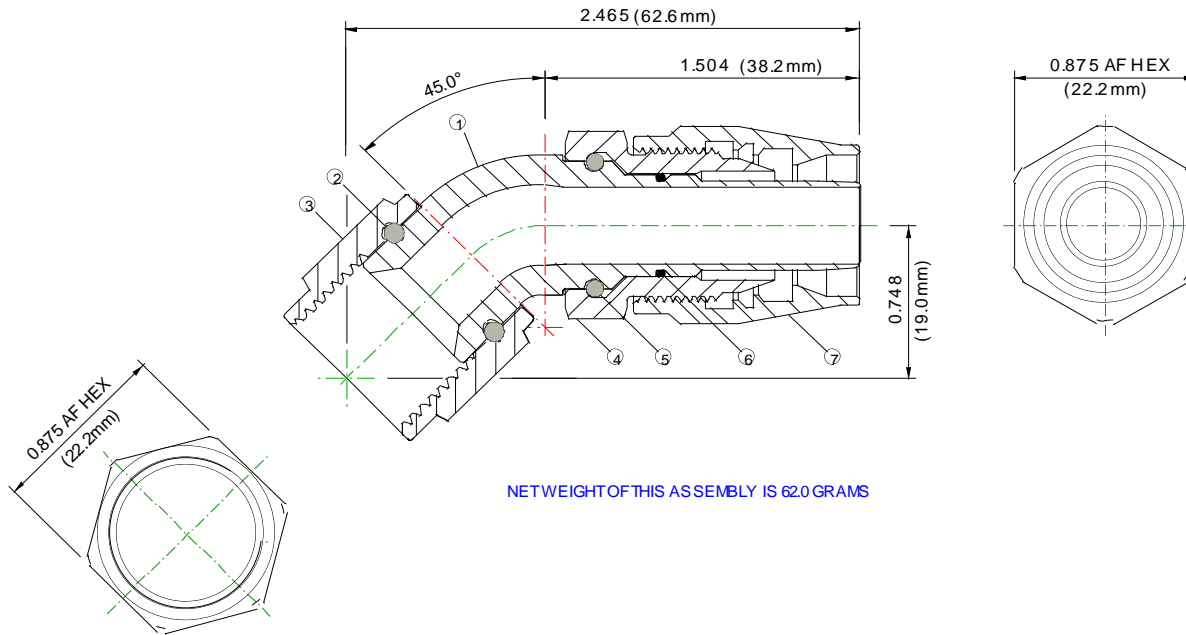


-8 100 SERIES - 45° HOSE END

 **A4**  
3RD ANGLE PROJECTION



NETWEIGHT OF THIS ASSEMBLY IS 62.0 GRAMS

7	1	C1000-08	SOCKET	AL ALLOY	ANODIZED
6	1	COM-11	ORING M11 x 1.0	NITRILE	OILED
5	1	CW-S08	SWIVEL CUTTIER WIRE	St STEEL	POLISHED
4	1	C1030-08	SWIVEL CUTTIER	AL ALLOY	ANODIZED
3	1	C1001-08	WIRE NUT 3/4" x 16 UNF	AL ALLOY	ANODIZED
2	1	CW-W08	WIRE NUT WIRE	St STEEL	POLISHED
1	1	C102-08	CENTRE NIPPLE	AL ALLOY	HARD COAT ANODIZED
<b>MK#</b>	<b>QTY</b>	<b>PART#</b>	<b>DESCRIPTION</b>	<b>MATERIAL</b>	<b>SURFACE CONDITION</b>

**SPEED FLOW PRODUCTS PTY LTD**

MAX 3D  
V14

Drg No: 102-08

Drg Date: 15/03/2013

**102-08**