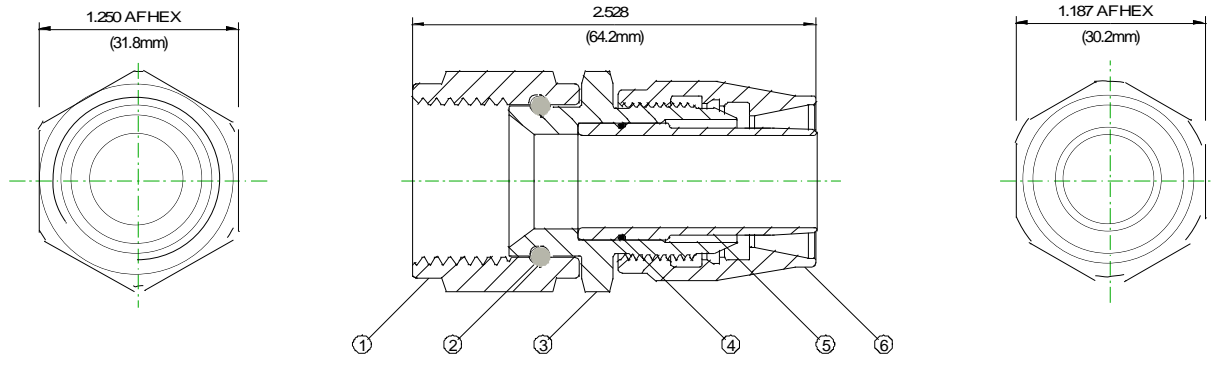


-12 100 SERIES- STRAIGHT HOSE END

3RD ANGLE PROJECTION



NETWEIGHT OF THIS ASSEMBLY IS 76.0 GRAMS

6	1	C1000-12	SOCKET	AL ALLOY	ANODIZED RED
5	1	C1020-12	INSERT	AL ALLOY	HARDCOAT ANODIZED BLK
4	1	COM-17	O RING M17 x 1.0	NITRILE	OILED
3	1	C101-12	CENTRE NIPPLE	AL ALLOY	HARDCOAT ANODIZED BLU
2	1	CW-W12	WIRE NUT WIRE	ST STEEL	POLISHED & OILED
1	1	C1001-12	WIRE NUT 7/8" x 14 UNF	AL ALLOY	ANODIZED BLUE
MK #	QTY	PART #	DESCRIPTION	MATERIAL	SURFACE CONDITION

SPEED FLOW PRODUCTS PTY LTD

MAX 3D
V14

Drg No: 101-12

Drg Date: 17/05/2013

101-12