
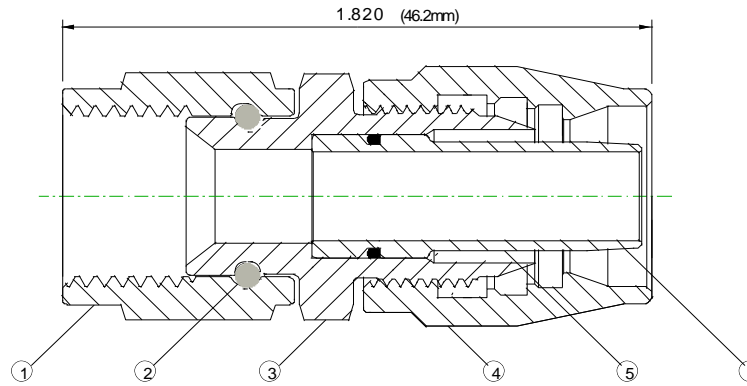
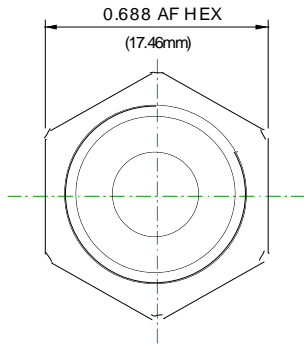


-6 100 SERIES- STRAIGHT HOSE END

 **A4**
3RD ANGLE PROJECTION



NETWEIGHTOFTHIS ASSEMBLY IS 21 GRAMS

6	1	C1020-06	INSERT	AL ALLOY	HARD COAT ANODIZED
5	1	C1000-06	SOCKET	AL ALLOY	ANODIZED
4	1	COM-08	O RING M8 x 1.0	NITRILE	OILED
3	1	C101-06	CENTRE NIPPLE	AL ALLOY	HARD COAT ANODIZED
2	1	CW-W06	WIRE NUT WIRE	St. STEEL	POLISHED
1	1	C1001-06	WIRE NUT 9/16x18 UNF	AL ALLOY	ANODIZED
MK #	QTY	PART#	DESCRIPTION	MATERIAL	SURFACE CONDITION

SPEED FLOW PRODUCTS PTY LTD

MAX 3D
V14

Drg No: 101-06

Drg Date: 08/01/2013

101-06