

## FASCETTE MURRAY

### **Fascette metalliche a tensione costante per turbine tipo SAE by Murray.**

Le fascette metalliche a tensione costante sono progettate per compensare gli effetti provocati da elevati cicli termici, la compressione e l'estensione dei manicotti siliconici. Le doppie molle, quelle esterne alla fascetta e quelle interne lavorano insieme e impediscono ogni movimento del tubo e della fascetta stessa.

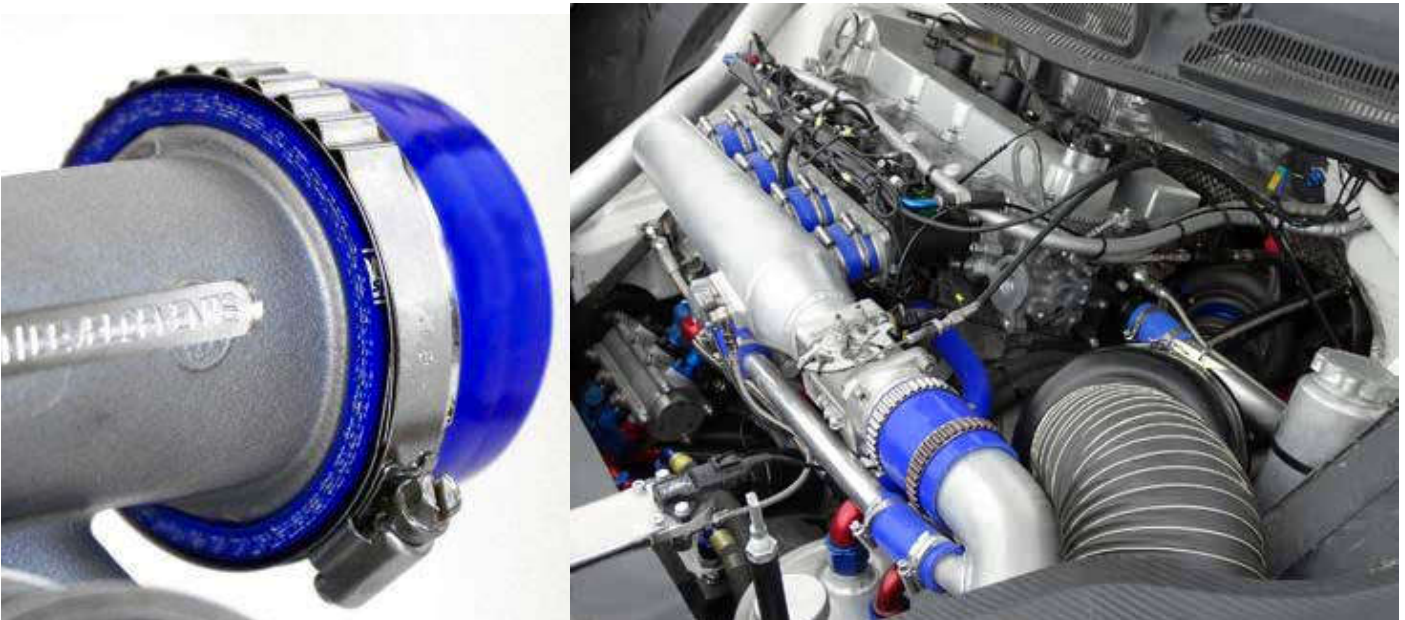
L'elettrolucidatura, oltre a donare una ottima finitura, migliora la resistenza del metallo, aumentando le performance della fascetta e impedendo la corrosione.

Questa speciale fascetta è usata per moltissime applicazioni: Automotive, Agricoltura, industria Aeronautica, industria Militare, Powertrain. È perfetta per assicurare i manicotti siliconici a Turbine, a serbatoi carburante e a manicotteria impiegata per giri aria e per giri acqua. Il disegno interno, denominato "Dual Bead Shield" permette una tenuta maggiore di oltre il 30% rispetto alle tradizionali fascette.

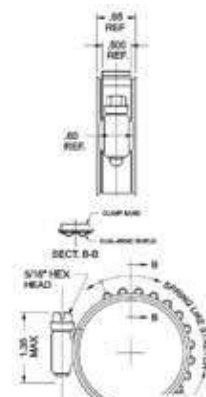
I bordi arrotondati e smussati inoltre, evitano danni ai materiali morbidi come il silicone.

#### **Informazioni aggiuntive su i materiali di costruzione:**

- **Materiale Molla esterna** : *Acciaio Inox speciale, con ottimi proprietà elastiche.*
- **Materiale alloggiamento** : *Acciaio Inox serie 300*
- **Materiale Vite** : *Acciaio Inox serie 300*
- **Massima coppia di serraggio applicabile** : *8,5 nm*
- **Coppia di serraggio consigliata** : *5,6 nm*



## FASCETTE MURRAY

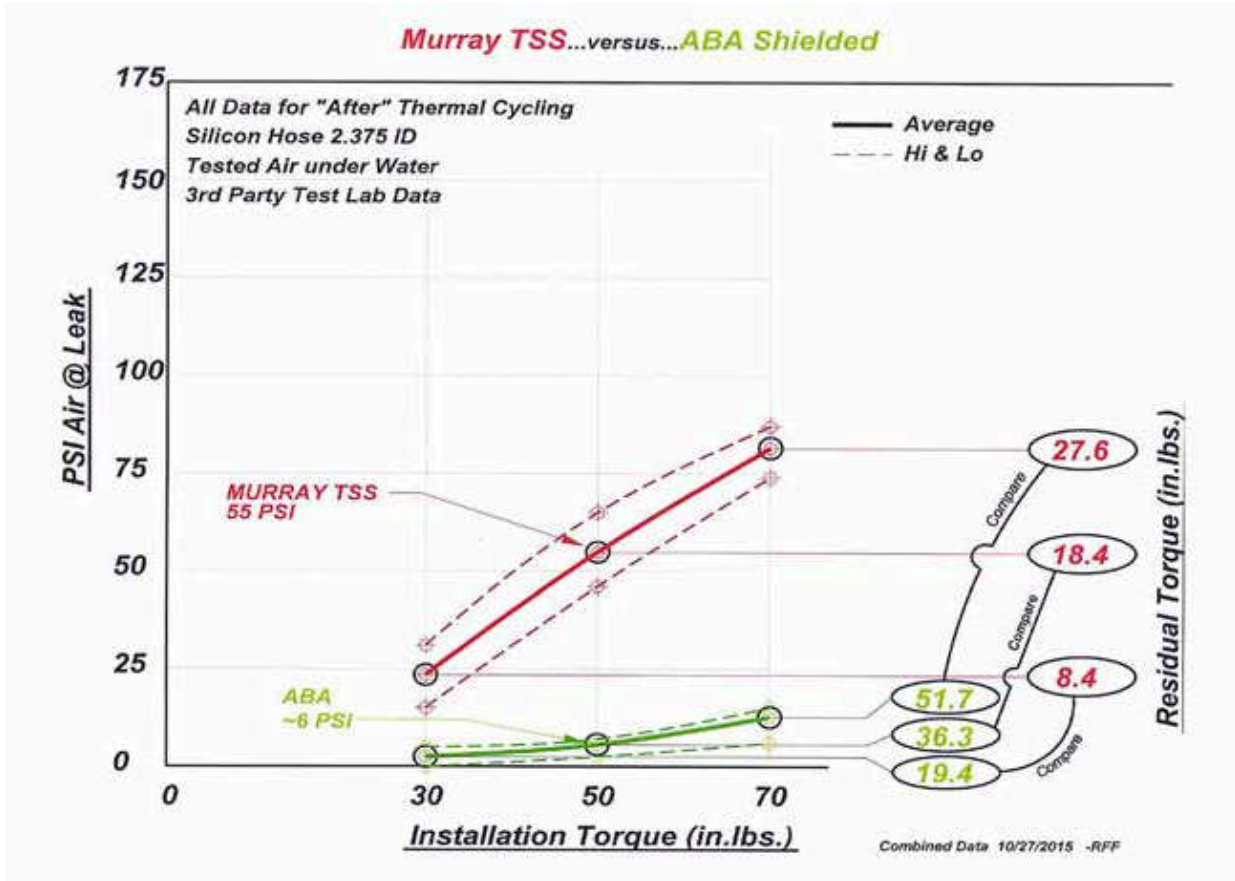


Misure comprese di chiusura per codice

CODICE	DECIMALE		POLLICI		MILLIMETRI	
TSS 14S30 EP	1,12	1,50	1-1/8	1-1/2	28	38
TSS 16S30 EP	1,20	1,63	1-1/5	1-5/8	30	41
TSS 18S30 EP	1,28	1,75	1-1/4	1-3/4	33	44
TSS 20S30 EP	1,37	1,88	1-3/8	1-7/8	35	48
TSS 24S30 EP	1,56	2,13	1-9/16	2-1/8	40	54
TSS 28S30 EP	1,63	2,38	1-5/8	2-3/8	41	60
TSS 32S30 EP	1,80	2,63	1-13/16	2-5/8	46	67
TSS 36S30 EP	1,97	2,88	1-31/32	2-7/8	50	73
TSS 40S30 EP	2,25	3,13	2-1/4	3-1/8	57	79
TSS 44S30 EP	2,50	3,38	2-1/2	3-3/8	64	86
TSS 48S30 EP	2,75	3,63	2-3/4	3-5/8	70	92
TSS 52S30 EP	3,00	3,88	3	3-7/8	76	98
TSS 56S30 EP	3,25	4,13	3-1/4	4-1/8	83	105
TSS 60S30 EP	3,50	4,38	3-1/2	4-3/8	89	111
TSS 64S30 EP	3,75	4,63	3-3/4	4-5/8	95	118
TSS 68S30 EP	4,00	4,88	4	4-7/8	102	124
TSS 72S30 EP	4,25	5,13	4-1/4	5-1/8	108	130
TSS 76S30 EP	4,50	5,38	4-1/2	5-3/8	114	137
TSS 80S30 EP	4,75	5,63	4-3/4	5-5/8	121	143
TSS 84S30 EP	5,00	5,88	5	5-7/8	127	149
TSS 88S30 EP	5,25	6,13	5-1/4	6-1/8	133	156
TSS 92S30 EP	5,50	6,38	5-1/2	6-3/8	140	162
TSS 96S30 EP	5,75	6,63	5-3/4	6-5/8	146	168
TSS 104S30 EP	6,25	7,13	6-1/4	7-1/8	159	181
TSS 112S30 EP	6,75	7,63	6-3/4	7-5/8	172	194
TSS 116S30 EP	7,00	7,88	7	7-7/8	178	200
TSS120S30 EP	7,25	8,13	7-1/4	8-1/8	184	206

## FASCETTE MURRAY

Nel grafico sottostante si può vedere come una fascetta Murray TSS mantenga maggior stabilità e sicurezza dopo un ciclo di stress ad alta temperatura ed a alta pressione.



FASCETTE MURRAY



**W1 Din. Class**

BOX QTY	(SERIES) W1	BH ZINC PLATED	DIA. RANGE			SCREW DIA.	RATED TORQUE Nm MIN.	RATED TORQUE IN. LBS. MIN.
			mm	T mm	W mm			
50	BH5X01900C *		17-19	0,60	18,0	5	5,0	44
50	BH5X02200C *		20-22	0,60	18,0	5	5,0	44
50	BH5X02500C *		23-25	0,60	18,0	5	5,0	44
50	BH5X02800C *		26-28	0,60	18,0	5	5,0	44
50	BH6X03100C *		29-31	0,80	20,0	6	15,0	133
50	BH6X03500C *		32-35	0,80	20,0	6	15,0	133
50	BH6X03900C *		36-39	0,80	20,0	6	15,0	133
50	BH6X04300C *		40-43	0,80	20,0	6	15,0	133
50	BH6X04700C *		44-47	1,20	22,0	6	15,0	133
50	BH6X05100C *		48-51	1,20	22,0	6	15,0	133
50	BH6X05500C *		52-55	1,20	22,0	6	15,0	133
50	BH6X05900C *		56-59	1,20	22,0	6	15,0	133
50	BH6X06300C *		60-63	1,20	22,0	6	15,0	133
50	BH8X06700C *		64-67	1,20	22,0	8	15,0	133
50	BH8X07300C *		68-73	1,50	24,0	8	25,0	221
50	BH8X07900C *		74-79	1,50	24,0	8	25,0	221
50	BH8X08500C *		80-85	1,50	24,0	8	25,0	221
50	BH8X09100C *		86-91	1,50	24,0	8	25,0	221
50	BH8X09700C *		92-97	1,50	24,0	8	25,0	221
50	BH8X10300C *		98-103	1,50	24,0	8	25,0	221
50	BH8X11200C *		104-112	1,50	24,0	8	25,0	221
50	BH8X12100C *		113-121	1,50	24,0	8	25,0	221
50	BH8X13000C *		122-130	1,50	24,0	8	25,0	221

\* NON STOCK ITEMS

**W1 Din. Class**

BOX QTY	(SERIES) W1	BH ZINC PLATED	DIA. RANGE			SCREW DIA.	RATED TORQUE Nm MIN.	RATED TORQUE FT. LBS. MIN.
			mm	T mm	W mm			
50	BH10X13900C * *		131-139	1,70	26,0	10	40,0	30
50	BH10X14800C *		140-148	1,70	26,0	10	40,0	30
50	BH10X16100C *		149-161	1,70	26,0	10	40,0	30
50	BH10X17400C *		162-174	1,70	26,0	10	40,0	30
50	BH10X18700C *		175-187	1,70	26,0	10	40,0	30
50	BH10X20000C *		188-200	1,70	26,0	10	40,0	30
50	BH10X21300C *		201-213	1,70	26,0	10	40,0	30
50	BH10X22600C *		214-226	1,70	26,0	10	40,0	30
50	BH10X23900C *		227-239	1,70	26,0	10	40,0	30
50	BH10X25200C *		240-252	1,70	26,0	10	40,0	30
50	BH10X26500C *		253-265	1,70	26,0	10	40,0	30
50	BH10X27800C *		266-278	1,70	26,0	10	40,0	30
50	BH10X29100C *		279-291	1,70	26,0	10	40,0	30
50	BH10X30400C *		292-304	1,70	26,0	10	40,0	30

\* NON STOCK ITEMS

FASCETTE MURRAY



BOX QTY	PART NO.	DIA. RANGE MM
50	TBLS156C	40-33
50	TBLS187C	47-41
50	TBLS206C	52-46
50	TBLS225C	57-49
50	TBLS237C	60-52
50	TBLS250C	64-56
50	TBLS262C	67-59
50	TBLS287C	73-65
50	TBLS312C	79-71
50	TBLS337C	86-78
50	TBLS359C	91-83
50	TBLS387C	98-90
50	TBLS394C	100-92
50	TBLS412C	105-97
50	TBLS437C	111-103
50	TBLS462C	117-109
50	TBLS487C	124-116

"New Product Line" in the process of stocking please notify us with your request.

BOX QTY	PART NO.	DIA. RANGE MM
50	TBLS512C	130-122
50	TBLS537C	136-129
50	TBLS562C	143-135
50	TBLS587C	149-141
50	TBLS612C	155-148
50	TBLS637C	162-154
50	TBLS662C	168-160
50	TBLS687C	174-167
50	TBLS712C	181-173
50	TBLS737C	187-179
50	TBLS762C	194-186
50	TBLS787C	200-192
50	TBLS812C	206-198
50	TBLS837C	213-205
50	TBLS919C	233-219
50	TBLS1113C	283-268
50	TBLS1313C	334-319

FASCETTE MURRAY



"QUICK RELEASE", "CREATE-A-CLAMP" , "NUT RUNNER" & "CLAMP KEYS"

BOX QTY	SIZE	DESCRIPTION
100	QR36S200C *	2.75" Open, ALL 200SS
100	QR48S200C *	3.5" Open, ALL 200SS
100	QR56S200C	4" Open, ALL 200SS, 410 T-BLOCK
100	QR72S200C	5" Open, ALL 200SS, 410 T-BLOCK
100	QR88S200C	6" Open, ALL 200SS, 410 T-BLOCK
100	QR104S200C	7" Open, ALL 200SS, 410 T-BLOCK
100	QR116S200C *	7.75" Open, ALL 200SS
100	QR128S200C	8.5" Open, ALL 200SS, 410 T-BLOCK
100	QR152S200C	10" Open, ALL 200SS, 410 T-BLOCK
100	QR188S200C	12.25" Open, ALL 200SS, 410 T-BLOCK
100	QR224S200C *	ALL 200SS, 410 T-BLOCK
100	QR232S200C	15" Open , ALL 200SS, 410 T-BLOCK
100	QR258S200C	16.63" Open, ALL 200SS, 410 T-BLOCK
100	QR288S200C	18.5" Open , ALL 200SS, 410 T-BLOCK
100	QR312S200C	20.00" Open, ALL 200SS, 410 T-BLOCK

\* Non-Stock Items



## FASCETTE MURRAY

**Heavy Duty Seamless PEX Pipe Clamps for use with "DZR" Brass and Plastic PEX Fittings.** These patented heavy duty "Tongue and Groove" clamps offer 360 degree stainless fastening and meet or exceed ASTM F-2098 requirements. Due to their heavy-duty 304 stainless steel construction as well as their seamless design and uniform compression sealing, these cutting edge clamps were designed primarily for PEX (cross-linked polyethylene) PAP (PEX Aluminum PEX) PERT (Polyethylene Raised Temperature) but has numerous alternate uses.

BOX QTY	SIZE	DIAMETER RANGE INCHES	DIAMETER RANGE MM
3.000	PEX13300C	PEX 3/8"	7mm x 13.3 - 10.8
2.000	PEX13300P100	PEX 3/8" 100 per bag	7mm x 13.3 - 10.8
2.000	PEX17500P100	PEX 1/2" 100 per bag	7mm x 17.5 - 14.3
1.000	PEX20600P100	PEX 5/8" 100 per bag	9mm x 20.6 - 17.4
1.000	PEX23300C	PEX 3/4"	9mm x 23.3 - 20.1
1.000	PEX23300P100	PEX 3/4" 100 per bag	9mm x 23.3 - 20.1
500	PEX29600C	PEX 1"	10mm x 29.6 - 26.4
500	PEX29600P100	PEX 1" 100 per bag	10mm x 29.6 - 26.4



FASCETTE MURRAY



BOX QTY	SIZE	SIZE	SIZE	DESCRIPTION	RANGE MM
3.000	MM300C *	MM3SS00C	MMF3SS00C	MINI CLAMP .250 / .510	6-13
2.000	MM400C	MM4SS00C	MMF4SS00C	MINI CLAMP 1/4-5/8	6-16
2.000	MM500C	MM5SS00C	MMF5SS00C	MINI CLAMP 5/16-29/32	7-17
1.000	MM600C *				8-22
1000	MM800C *				10-25
1.000	MM1000C *	MM10SS00C	MMF10SS00C	MINI CLAMP 1/2 - 1-1/16	10-27
1000	MM1200C *				17-32
1000	MM1600C *				23-38
500	MM2000C *				29-44
500	MM2400C *				36-51
500	MM2800C *				42-57
500	MM3000C *				45-60
500	MM3200C *				48-63
500	MM3600C *				55-70
500	MM4000C *				61-76
500	MM4400C *				67-82
500	MM4800C *				74-89
500	MM6400C *				99-114
500	MM8800C *				137-152
500	MM10400C *				163-178
300	MM15600C *				247-261



FASCETTE MURRAY



KS (WELDED)			KSC (MECHANICALLY ATTACHED)			
BOX QTY	SIZE		BOX QTY	SIZE	OPEN mm	CLOSED mm
2.500	KS319800P100		2.500	KSC319800P100	19,8	16,6
2.500	KS321000P100		2.500	KSC321000P100	21	17,9
2.500	KS325600P100		2.500	KSC325600P100	25,6	22,5
2.500	KS327100P100		2.500	KSC327100P100	27,1	24,0
2.500	KS331600P100		2.500	KSC331600P100	31,6	28,5
2.500	KS333100P100		2.500	KSC333100P100	33,1	30,0
2.500	KS334600P100		2.500	KSC334600P100	34,6	31,5
2.000	KS341000P100		2.000	KSC341000P100	41,0	37,9
2.000	KS342500P100		2.000	KSC342500P100	42,5	39,4
2.000	KS348500P100		2.000	KSC348500P100	48,5	45,5

\* Non-Stock Items

FASCETTE MURRAY



BOX QTY	SIZE	BOX QTY	SIZE	BAND WIDTH x CLOSE-OPEN	COMPETITIVE #
4.000	KVGT506500C	2.500	KVGT506500P100	5MM BW X 5.3 - 6.5 MM	
4.000	KVGT507000C	2.500	KVGT507000P100	5MM BW X 5.8 - 7.0 MM	16700001
4.000	KVGT508000C	2.500	KVGT508000P100	5MM BW X 6.8 - 8.0 MM	16700002
4.000	KVGT508700C	2.500	KVGT508700P100	5MM BW X 7.0 - 8.7 MM	16700003
4.000	KVGT509000C *	2.500	KVGT509000P100	5MM BW X 7.3 - 9.0 MM	16702491
4.000	KVGT509500C	2.500	KVGT509500P100	5MM BW X 7.8 - 9.5 MM	16700004
4.000	KVGT510000C	2.500	KVGT510000P100	5MM BW X 8.3 - 10.0 MM	16700005
4.000	KVGT510500C	2.500	KVGT510500P100	5MM BW X 8.8 - 10.5 MM	
4.000	KVGT510900C	2.500	KVGT510900P100	5MM BW X 9.2 - 10.9 MM	16702492
4.000	KVGT511300C	2.500	KVGT511300P100	5MM BW X 9.6 - 11.3 MM	16700007
4.000	KVGT511800C	2.500	KVGT511800P100	5MM BW X 10.1 - 11.8 MM	16700008
4.000	KVGT712300C	2.500	KVGT712300P100	7MM BW X 9.8 - 12.3 MM	16700009
4.000	KVGT712800C *	2.500	KVGT712800P100	7MM BW X 10.3 - 12.8 MM	16702493
4.000	KVGT713300C	2.500	KVGT713300P100	7MM BW X 10.8 - 13.3 MM	16700010
4.000	KVGT713800C	2.500	KVGT713800P100	7MM BW X 11.3 - 13.8 MM	16700011
4.000	KVGT714000C	2.500	KVGT714000P100	7MM BW X 11.5 - 14.0 MM	16700012
4.000	KVGT714500C	2.500	KVGT714500P100	7MM BW X 12.0 - 14.5 MM	16700013
4.000	KVGT714800C *	2.500	KVGT714800P100	7MM BW X 12.3 - 14.8 MM	16700014
4.000	KVGT715300C	2.500	KVGT715300P100	7MM BW X 12.8 - 15.3 MM	16700015
4.000	KVGT715700C	2.500	KVGT715700P100	7MM BW X 13.2 - 15.7 MM	16700016
4.000	KVGT716200C	2.500	KVGT716200P100	7MM BW X 13.7 - 16.2 MM	16702494
4.000	KVGT716400C	2.500	KVGT716400P100	7MM BW X 13.9 - 16.4 MM	16702495
4.000	KVGT717000C	2.500	KVGT717000P100	7MM BW X 14.5 - 17.0 MM	16700017
4.000	KVGT717800C *	2.500	KVGT717800P100	7MM BW X - 17.8 MM	
4.000	KVGT718000C	2.500	KVGT718000P100	7MM BW X 15.5 - 18.0 MM	16700019
4.000	KVGT718500C	2.500	KVGT718500P100	7MM BW X 16.0 - 18.5 MM	16700020
4.000	KVGT719200C	2.500	KVGT719200P100	7MM BW X 16.0 - 19.2 MM	16700110
4.000	KVGT719800C	2.500	KVGT719800P100	7MM BW X 16.6 - 19.8 MM	16702498
4.000	KVGT721000C	2.500	KVGT721000P100	7MM BW X 17.8 - 21.0 MM	16700024
4.000	KVGT722000C	2.500	KVGT722000P100	7MM BW X 18.8 - 22.0 MM	
4.000	KVGT722600C	2.500	KVGT722600P100	7MM BW X 19.4 - 22.6 MM	16700026
4.000	KVGT723500C *	2.500	KVGT723500P100	7MM BW X 20.3 - 23.5 MM	16700028
4.000	KVGT724100C	2.500	KVGT724100P100	7MM BW X 20.9 - 24.1 MM	16700029
4.000	KVGT725600C	2.500	KVGT725600P100	7MM BW X 22.4 - 25.6 MM	16700031
4.000	KVGT727100C	2.500	KVGT727100P100	7MM BW X 23.9 - 27.1 MM	16700033
4.000	KVGT728600C	2.500	KVGT728600P100	7MM BW X 25.4 - 28.6 MM	16700036

\* Non-Stock Items

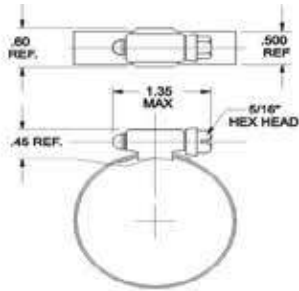
FASCETTE MURRAY



BOX QTY	SIZE	BOX QTY	SIZE	BAND WIDTH X CLOSE-OPEN	COMPETITIVE #
2.000	KVGT730100C	2.500	KVGT730100P100	7MM BW X 26.9 - 30.1 MM	16702047
2.000	KVGT730800C	2.500	KVGT730800P100	7MM BW X 27.6 - 30.8 MM	16700040
2.000	KVGT731600C	2.500	KVGT731600P100	7MM BW X 28.4 - 31.6 MM	16700040
2.000	KVGT733100C *	2.500	KVGT733100P100 *	7MM BW X 29.9 - 33.1 MM	16700042
2.000	KVGT734600C *	2.500	KVGT734600P100 *	7MM BW X 31.4 - 34.6 MM	16700044
2.000	KVGT736100C	2.500	KVGT736100P100	7MM BW X 32.9 - 36.1 MM	16700046
2.000	KVGT736800C *	2.500	KVGT736800P100 *	7MM BW X - 36.8 MM	NA
2.000	KVGT737600C *	2.500	KVGT737600P100 *	7MM BW X 34.4 - 37.6 MM	16700048
2.000	KVGT738100C	2.500	KVGT738100P100	7MM BW X 34.9 - 38.1 MM	16700050
2.000	KVGT738800C *	2.500	KVGT738800P100 *	7MM BW X - 38.8 MM	NA
2.000	KVGT739600C *	2.500	KVGT739600P100 *	7MM BW X 36.4 - 39.6 MM	16700052
1.000	<b>KVGT741000C</b>	<b>2.500</b>	<b>KVGT741000P100</b>	<b>7MM BW X 37.8 - 41.0 MM</b>	<b>16700053</b>
1.000	KVGT745500C	2.500	KVGT745500P100	7MM BW X 42.3 - 45.5 MM	16700056
1.000	KVGT750000C *	2.500	KVGT750000P100 *	7MM BW X 46.8 - 50.0 MM	16700059
1.000	KVGT751500C *	2.500	KVGT751500P100 *	7MM BW X 48.3 - 51.5 MM	16700060
1.000	KVGT752400C *	2.500	KVGT752400P100 *	7MM BW X - 52.4 MM	NA
1.000	KVGT754500C *	2.500	KVGT754500P100 *	7MM BW X 51.3 - 54.5 MM	16700062
1.000	KVGT756000C *	2.500	KVGT756000P100 *	7MM BW X 52.8 - 56.0 MM	16700063
1.000	KVGT759000C *	2.500	KVGT759000P100 *	7MM BW X 55.8 - 59.0 MM	16700065
1.000	KVGT763500C *	2.500	KVGT763500P100 *	7MM BW X 60.3 - 63.5 MM	16700068
1.000	KVGT769500C *	2.500	KVGT769500P100 *	7MM BW X 66.3 - 69.5 MM	16700072
1.000	KVGT795000C *	2.500	KVGT795000P100 *	7MM BW X 91.8 - 95.0 MM	16700089

\* Non-Stock Items

FASCETTE MURRAY



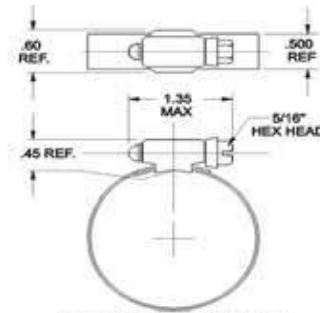
Applies to: H, H-SS, HF-SS, HL-SS Series



**H SERIES** BAND & HOUSING 200/300 SERIES STAINLESS STEEL. SCREW IS 5/16" SLOTTED HEX HEAD, HEAT TREATED CARBON STEEL, PLATED WITH ZINC PLUS TRIVALENT CHROMATE FOR LONG LASTING PROTECTION. GOOD GENERAL-PURPOSE CLAMP.

BOX QTY	SIZE	DIAMETER RANGE INCHES	DIAMETER RANGE MILLIMETERS
500	H600C	7/16 - 25/32	11 - 20
500	H800C	7/16 - 29/32	11 - 23
500	H1000C	9/16 - 1 1/16	14 - 27
500	H1200C	11/16 - 1 1/4	18 - 32
500	H1600C	3/4 - 1 1/2	19 - 38
500	H2000C	13/16 - 1 3/4	21 - 44
500	H2400C	1 1/16 - 2	27 - 51
500	H2800C	1 5/16 - 2 1/4	33 - 57
400	H3200C	1 9/16 - 2 1/2	40 - 64
400	H3600C	1 13/16 - 2 3/4	46 - 70
400	H4000C	2 1/16 - 3	52 - 76
400	H4400C	2 5/16 - 3 1/4	59 - 83
400	H4800C	2 9/16 - 3 1/2	65 - 89
400	H5200C	2 13/16 - 3 3/4	71 - 95
400	H5600C	3 1/16 - 4	78 - 102
400	H6000C	3 5/16 - 4 1/4	84 - 108
300	H6400C	3 9/16 - 4 1/2	90 - 114
300	H6800C *	3 13/16 - 4 3/4	97 - 121
300	H7200C	4 1/16 - 5	103 - 127
300	H8000C *	4 9/16 - 5 1/2	116 - 140
200	H8800C *	5 1/16 - 6	129 - 152
200	H9600C	5 9/16 - 6 1/2	141 - 165
200	H10400C	6 1/16 - 7	154 - 178
200	H11600C	6 1/2 - 7 3/4	165 - 197
200	H12800C	5 11/16 - 8 1/2	144 - 216

FASCETTE MURRAY

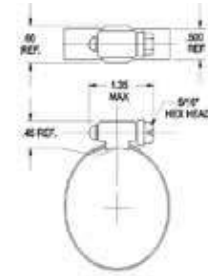


Applies to: H, H-SS, HF-SS, HL-SS Series

**H-SS SERIES** BAND & HOUSING 200/300 SERIES STAINLESS STEEL. SCREW IS 5/16" SLOTTED HEX HEAD, HEAT TREATED 400 SERIES STAINLESS STEEL. THE CORROSION RESISTANCE OF THIS ALL STAINLESS STEEL BAND, HOUSING AND SCREW MAKES THIS THE PERFECT CLAMP FOR NUMEROUS INDUSTRIAL INSTALLATIONS.

BOX QTY	SIZE	DIAMETER RANGE INCHES	DIAMETER RANGE MILLIMETERS
500	H6SS00C	7/16 - 25/32	11 - 20
500	H8SS00C	7/16 - 29/32	11 - 23
500	H10SS00C	9/16 - 1 1/16	14 - 27
500	H12SS00C	11/16 - 1 1/4	18 - 32
500	H16SS00C	3/4 - 1 1/2	19 - 38
500	H20SS00C	13/16 - 1 3/4	21 - 44
500	H24SS00C	1 1/16 - 2	27 - 51
500	H28SS00C	1 5/16 - 2 1/4	33 - 57
400	H32SS00C	1 9/16 - 2 1/2	40 - 64
400	H36SS00C	1 13/16 - 2 3/4	46 - 70
400	H40SS00C	2 1/16 - 3	52 - 76
400	H44SS00C	2 5/16 - 3 1/4	59 - 83
400	H48SS00C	2 9/16 - 3 1/2	65 - 89
400	H52SS00C	2 13/16 - 3 3/4	71 - 95
400	H56SS00C	3 1/16 - 4	78 - 102
400	H60SS00C	3 5/16 - 4 1/4	84 - 108
300	H64SS00C	3 9/16 - 4 1/2	90 - 114
300	H68SS00C *	3 13/16 - 4 3/4	97 - 121
300	H72SS00C	4 1/16 - 5	103 - 127
300	H80SS00C *	4 9/16 - 5 1/2	116 - 140
200	H88SS00C *	5 1/16 - 6	129 - 152
200	H96SS00C	5 9/16 - 6 1/2	141 - 165
200	H104SS00C	6 1/16 - 7	154 - 178
200	H116SS00C	6 1/2 - 7 3/4	165 - 197
200	H128SS00C	5 11/16 - 8 1/2	144 - 216

FASCETTE MURRAY



Applies to H, H SS, HF SS, H SS Series

**HF-SS SERIES** BAND, HOUSING AND SCREW ARE 300 SERIES STAINLESS STEEL. SCREW IS 5/16" SLOTTED HEX HEAD. THE ALL 300 SERIES STAINLESS STEEL CONSTRUCTION PROVIDES BETTER CORROSION RESISTANCE THAN THAT AVAILABLE FROM THE "H-SS" SERIES, MAKING THIS CLAMP WELL SUITED FOR MARINE APPLICATIONS.

BOX QTY	SIZE	DIAMETER RANGE INCHES	DIAMETER RANGE MILLIMETERS
500	HF6SS00C	7/16 - 25/32	11 - 20
500	HF8SS00C	7/16 - 29/32	11 - 23
500	HF10SS00C	9/16 - 1 1/16	14 - 27
500	HF12SS00C	11/16 - 1 1/4	18 - 32
500	HF16SS00C	3/4 - 1 1/2	19 - 38
500	HF20SS00C	13/16 - 1 3/4	21 - 44
500	HF24SS00C	1 1/16 - 2	27 - 51
500	HF28SS00C	1 5/16 - 2 1/4	33 - 57
400	HF32SS00C	1 9/16 - 2 1/2	40 - 64
400	HF36SS00C	1 13/16 - 2 3/4	46 - 70
400	HF40SS00C	2 1/16 - 3	52 - 76
400	HF44SS00C	2 5/16 - 3 1/4	59 - 83
400	HF48SS00C	2 9/16 - 3 1/2	65 - 89
400	HF52SS00C	2 13/16 - 3 3/4	71 - 95
400	HF56SS00C	3 1/16 - 4	78 - 102
400	HF60SS00C	3 5/16 - 4 1/4	84 - 108
300	HF64SS00C	3 9/16 - 4 1/2	90 - 114
300	HF68SS00C *	3 13/16 - 4 3/4	97 - 121
300	HF72SS00C	4 1/16 - 5	103 - 127
300	HF80SS00C *	4 9/16 - 5 1/2	116 - 140
200	HF88SS00C *	5 1/16 - 6	129 - 152
200	HF96SS00C	5 9/16 - 6 1/2	141 - 165
200	HF104SS00C	6 1/16 - 7	154 - 178
200	HF116SS00C	6 1/2 - 7 3/4	165 - 197
200	HF128SS00C	5 11/16 - 8 1/2	144 - 216

FASCETTE MURRAY



**HG-SS SERIES** COMES WITH ALL 304 STAINLESS STEEL BAND, HOUSING & SCREW. THE SCREW IS 5/16" SLOTTED HEX HEAD. THIS ALL 304 STAINLESS STEEL CONSTRUCTION PROVIDES SUPERIOR CORROSION RESISTANCE TO THAT AVAILABLE FROM THE H-SS SERIES, MAKING THIS CLAMP WELL-SUITED FOR MARINE APPLICATIONS OR WHEN IN USED IN CORROSIVE ENVIRONMENTS.

BOX QTY	SIZE	DIAMETER RANGE INCHES	DIAMETER RANGE MILLIMETERS
500	HG6SS00C	7/16 - 25/32	11 - 20
500	HG8SS00C	7/16 - 29/32	11 - 23
500	HG10SS00C	9/16 - 1 1/16	14 - 27
500	HG12SS00C	11/16 - 1 1/4	18 - 32
500	HG16SS00C	3/4 - 1 1/2	19 - 38
500	HG20SS00C	13/16 - 1 3/4	21 - 44
500	HG24SS00C	1 1/16 - 2	27 - 51
500	HG28SS00C	1 5/16 - 2 1/4	33 - 57
400	HG32SS00C	1 9/16 - 2 1/2	40 - 64
400	HG36SS00C	1 13/16 - 2 3/4	46 - 70
400	HG40SS00C	2 1/16 - 3	52 - 76
400	HG44SS00C	2 5/16 - 3 1/4	59 - 83
400	HG48SS00C	2 9/16 - 3 1/2	65 - 89
400	HG52SS00C	2 13/16 - 3 3/4	71 - 95
400	HG56SS00C	3 1/16 - 4	78 - 102
400	HG60SS00C	3 5/16 - 4 1/4	84 - 108
300	HG64SS00C	3 9/16 - 4 1/2	90 - 114
300	HG68SS00C *	3 13/16 - 4 3/4	97 - 121
300	HG72SS00C	4 1/16 - 5	103 - 127
300	<b>HG80SS00C *</b>	<b>4 9/16 - 5 1/2</b>	<b>116 - 140</b>
200	HG88SS00C *	5 1/16 - 6	129 - 152
200	HG96SS00C	5 9/16 - 6 1/2	141 - 165
200	HG104SS00C	6 1/16 - 7	154 - 178
200	HG116SS00C	6 1/2 - 7 3/4	165 - 197
200	HG128SS00C	5 11/16 - 8 1/2	144 - 216

FASCETTE MURRAY

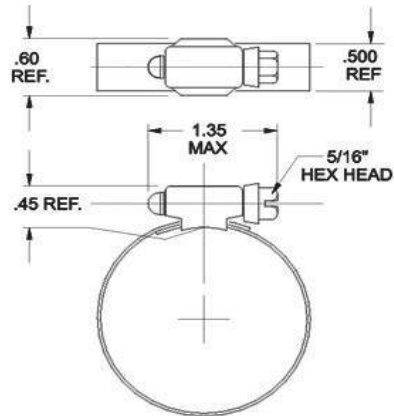


**HA-SS SERIES** COMES WITH 201 OR 301 STAINLESS STEEL BAND, AND 101 STAINLESS STEEL HOUSING & SCREW OR APPROVED BETTER GRADE. THE SCREW IS 5/16" SLOTTED HEX HEAD. GOOD GENERAL-PURPOSE CLAMP.

BOX QTY	SIZE	DIAMETER RANGE INCHES	DIAMETER RANGE MILLIMETERS
500	HA6SS00C *	7/16 - 25/32	11 - 20
500	HA8SS00C *	7/16 - 29/32	11 - 23
500	HA10SS00C *	9/16 - 1 1/16	14 - 27
500	HA12SS00C *	11/16 - 1 1/4	18 - 32
500	HA16SS00C *	3/4 - 1 1/2	19 - 38
500	HA20SS00C *	13/16 - 1 3/4	21 - 44
500	HA24SS00C *	1 1/16 - 2	27 - 51
500	HA28SS00C *	1 5/16 - 2 1/4	33 - 57
400	HA32SS00C *	1 9/16 - 2 1/2	40 - 64
400	HA36SS00C *	1 13/16 - 2 3/4	46 - 70
400	HA40SS00C *	2 1/16 - 3	52 - 76
400	HA44SS00C *	2 5/16 - 3 1/4	59 - 83
400	HA48SS00C *	2 9/16 - 3 1/2	65 - 89
400	HA52SS00C *	2 13/16 - 3 3/4	71 - 95
400	HA56SS00C *	3 1/16 - 4	78 - 102
400	HA60SS00C *	3 5/16 - 4 1/4	84 - 108
300	HA64SS00C *	3 9/16 - 4 1/2	90 - 114
300	HA68SS00C *	3 13/16 - 4 3/4	97 - 121
300	HA72SS00C *	4 1/16 - 5	103 - 127
300	HA80SS00C *	4 9/16 - 5 1/2	116 - 140
200	HA88SS00C *	5 1/16 - 6	129 - 152
200	HA96SS00C *	5 9/16 - 6 1/2	141 - 165
200	HA104SS00C *	6 1/16 - 7	154 - 178
200	HA116SS00C *	6 1/2 - 7 3/4	165 - 197
200	HA128SS00C *	5 11/16 - 8 1/2	144 - 216



FASCETTE MURRAY



Applies to: H, H-SS, HF-SS, HL-SS Series

**HL-SS SERIES** COMES WITH ALL 316 STAINLESS STEEL BAND, HOUSING & SCREW. THE SCREW IS 5/16" SLOTTED HEX HEAD. THIS ALL 316 STAINLESS STEEL CONSTRUCTION PROVIDES SUPERIOR CORROSION RESISTANCE IN HIGHLY CORROSIVE CONDITIONS. THIS CLAMP IS WELL-SUITED FOR MARINE APPLICATIONS.

BOX QTY	SIZE	DIAMETER RANGE INCHES	DIAMETER RANGE MILLIMETERS
500	HL6SS00C	7/16 - 25/32	11 - 20
500	HL8SS00C *	7/16 - 29/32	11 - 23
500	HL10SS00C	9/16 - 1 1/16	14 - 27
500	HL12SS00C	11/16 - 1 1/4	18 - 32
500	HL16SS00C	3/4 - 1 1/2	19 - 38
500	HL20SS00C	13/16 - 1 3/4	21 - 44
500	HL24SS00C	1 1/16 - 2	27 - 51
500	HL28SS00C	1 5/16 - 2 1/4	33 - 57
400	HL32SS00C	1 9/16 - 2 1/2	40 - 64
400	HL36SS00C	1 13/16 - 2 3/4	46 - 70
400	HL40SS00C	2 1/16 - 3	52 - 76
400	HL44SS00C	2 5/16 - 3 1/4	59 - 83
400	HL48SS00C	2 9/16 - 3 1/2	65 - 89
400	HL52SS00C	2 13/16 - 3 3/4	71 - 95
400	HL56SS00C	3 1/16 - 4	78 - 102
400	HL60SS00C	3 5/16 - 4 1/4	84 - 108
300	HL64SS00C	3 9/16 - 4 1/2	90 - 114
300	HL68SS00C *	3 13/16 - 4 3/4	97 - 121
300	HL72SS00C	4 1/16 - 5	103 - 127
300	HL80SS00C	4 9/16 - 5 1/2	116 - 140
200	HL88SS00C	5 1/16 - 6	129 - 152
200	HL96SS00C	5 9/16 - 6 1/2	141 - 165
200	HL104SS00C	6 1/16 - 7	154 - 178
200	HL116SS00C	6 1/2 - 7 3/4	165 - 197
200	HL128SS00C	5 11/16 - 8 1/2	144 - 216

FASCETTE MURRAY



9MM WIDE BAND

BOX QTY	W2	W4	W5	DIA. RANGE mm
500	EBT9X016WB00C	EBT9X016WF00C	EBT9X016WL00C	10-16
500	EBT9X020WB00C	EBT9X020WF00C	EBT9X020WL00C	12-20
500	EBT9X025WB00C	EBT9X025WF00C	EBT9X025WL00C	16-25
500	EBT9X032WB00C	EBT9X032WF00C	EBT9X032WL00C	20-32
500	EBT9X040WB00C	EBT9X040WF00C	EBT9X040WL00C	25-40
500	EBT9X050WB00C	EBT9X050WF00C	EBT9X050WL00C	32-50
400	EBT9X060WB00C	EBT9X060WF00C	EBT9X060WL00C	40-60
400	EBT9X070WB00C	EBT9X070WF00C	EBT9X070WL00C	50-70
400	EBT9X080WB00C	EBT9X080WF00C	EBT9X080WL00C	60-80
400	EBT9X090WB00C	EBT9X090WF00C	EBT9X090WL00C	70-90
400	EBT9X100WB00C	EBT9X100WF00C	EBT9X100WL00C	80-100
300	EBT9X110WB00C	EBT9X110WF00C	EBT9X110WL00C	90-110
300	EBT9X120WB00C	EBT9X120WF00C	EBT9X120WL00C	100-120
300	EBT9X130WB00C	EBT9X130WF00C	EBT9X130WL00C	110-130
300	EBT9X140WB00C	EBT9X140WF00C	EBT9X140WL00C	120-140
200	EBT9X150WB00C	EBT9X150WF00C	EBT9X150WL00C	130-150
200	EBT9X160WB00C	EBT9X160WF00C	EBT9X160WL00C	140-160

12MM WIDE BAND

BOX QTY	W2	W4	W5	DIA. RANGE mm
500	EBT12X020WB00C	EBT12X020WF00C	EBT12X020WL00C	12-20
500	EBT12X025WB00C	EBT12X025WF00C	EBT12X025WL00C	16-25
500	EBT12X032WB00C	EBT12X032WF00C	EBT12X032WL00C	20-32
500	EBT12X040WB00C	EBT12X040WF00C	EBT12X040WL00C	25-40
500	EBT12X050WB00C	EBT12X050WF00C	EBT12X050WL00C	32-50
400	EBT12X060WB00C	EBT12X060WF00C	EBT12X060WL00C	40-60
400	EBT12X070WB00C	EBT12X070WF00C	EBT12X070WL00C	50-70
400	EBT12X080WB00C	EBT12X080WF00C	EBT12X080WL00C	60-80
400	EBT12X090WB00C	EBT12X090WF00C	EBT12X090WL00C	70-90
400	EBT12X100WB00C	EBT12X100WF00C	EBT12X100WL00C	80-100
300	EBT12X110WB00C	EBT12X110WF00C	EBT12X110WL00C	90-110
300	EBT12X120WB00C	EBT12X120WF00C	EBT12X120WL00C	100-120
300	EBT12X130WB00C	EBT12X130WF00C	EBT12X130WL00C	110-130
300	EBT12X140WB00C	EBT12X140WF00C	EBT12X140WL00C	120-140
200	EBT12X150WB00C	EBT12X150WF00C	EBT12X150WL00C	130-150
200	EBT12X160WB00C	EBT12X160WF00C	EBT12X160WL00C	140-160

FASCETTE MURRAY



9MM WIDE BAND

BOX QTY	W1	W2	W4	W5	DIA. RANGE mm
1.500	EBG9X012	EB9X012	EB9X012SS	EBL9X012SS	8-12
500	EBG9X016	EB9X016	EB9X016SS	EBL9X016SS	10-16
500	EBG9X020	EB9X020	EB9X020SS	EBL9X020SS	12-20
500	EBG9X025	EB9X025	EB9X025SS	EBL9X025SS	16-25
500	EBG9X027	EB9X027	EB9X027SS	EBL9X027SS	16-27
500	EBG9X032	EB9X032	EB9X032SS	EBL9X032SS	20-32
500	EBG9X040	EB9X040	EB9X040SS	EBL9X040SS	25-40
500	EBG9X050	EB9X050	EB9X050SS	EBL9X050SS	32-50
400	EBG9X060	EB9X060	EB9X060SS	EBL9X060SS	40-60
400	EBG9X070	EB9X070	EB9X070SS	EBL9X070SS	50-70
400	EBG9X080	EB9X080	EB9X080SS	EBL9X080SS	60-80
400	EBG9X090	EB9X090	EB9X090SS	EBL9X090SS	70-90
400	EBG9X100	EB9X100	EB9X100SS	EBL9X100SS	80-100
300	EBG9X110	EB9X110	EB9X110SS	EBL9X110SS	90-110
300	EBG9X120	EB9X120	EB9X120SS	EBL9X120SS	100-120
300	EBG9X130	EB9X130	EB9X130SS	EBL9X130SS	110-130
300	EBG9X140	EB9X140	EB9X140SS	EBL9X140SS	120-140
200	EBG9X150	EB9X150	EB9X150SS	EBL9X150SS	130-150

12MM WIDE BAND

BOX QTY	W1	W2	W4	W5	DIA. RANGE mm
500	EBG12X020	EB12X020	EB12X020SS	EBL12X020SS	12-20
500	EBG12X025	EB12X025	EB12X025SS	EBL12X025SS	16-25
500	EBG12X027	EB12X027	EB12X027SS	EBL12X027SS	16-27
500	EBG12X032	EB12X032	EB12X032SS	EBL12X032SS	20-32
500	EBG12X040	EB12X040	EB12X040SS	EBL12X040SS	25-40
500	EBG12X050	EB12X050	EB12X050SS	EBL12X050SS	32-50
400	EBG12X060	EB12X060	EB12X060SS	EBL12X060SS	40-60
400	EBG12X070	EB12X070	EB12X070SS	EBL12X070SS	50-70
400	EBG12X080	EB12X080	EB12X080SS	EBL12X080SS	60-80
400	EBG12X090	EB12X090	EB12X090SS	EBL12X090SS	70-90
400	EBG12X100	EB12X100	EB12X100SS	EBL12X100SS	80-100
300	EBG12X110	EB12X110	EB12X110SS	EBL12X110SS	90-110
300	EBG12X120	EB12X120	EB12X120SS	EBL12X120SS	100-120
300	EBG12X130	EB12X130	EB12X130SS	EBL12X130SS	110-130
300	EBG12X140	EB12X140	EB12X140SS	EBL12X140SS	120-140
200	EBG12X150	EB12X150	EB12X150SS	EBL12X150SS	130-150
200	EBG12X160	EB12X160	EB12X160SS	EBL12X160SS	140-160
200	EBG12X170	EB12X170	EB12X170SS	EBL12X170SS	150-170
200	EBG12X180	EB12X180	EB12X180SS	EBL12X180SS	160-180
200	EBG12X190	EB12X190	EB12X190SS	EBL12X190SS	170-190
200	EBG12X200	EB12X200	EB12X200SS	EBL12X200SS	180-200

FASCETTE MURRAY



**410 SS**

**305 SS**

BOX QTY	PART NO.	BOX QTY	PART NO.	BOX QTY	DIA. RANGE	
400	DB1600C *	400	DB16SS00C *	400	DB16SS30500C *	TYPE F w/LINER 5/8" - 1 3/8"
400	DB2000C *	400	DB20SS00C *	400	DB20SS30500C *	TYPE F w/LINER 11/16" x 1-5/8"
400	DB2400C *	400	DB24SS00C *	400	DB24SS30500C *	TYPE F w/LINER 15/16" x 1-7/8"
400	DB2800C *	400	DB28SS00C *	400	DB28SS30500C *	TYPE F w/LINER 1-3/16" x 2-1/8"
300	DB3200C *	300	DB32SS00C *	300	DB32SS30500C *	TYPE F w/LINER 1-7/16" x 2-3/8"
300	DB3600C	300	DB36SS00C *	300	DB36SS30500C *	TYPE F w/LINER 1-11/16" x 2-5/8"
300	DB4000C *	300	DB40SS00C *	300	DB40SS30500C *	TYPE F w/LINER 1-15/16" x 2-7/8"
300	DB4400C	300	DB44SS00C *	300	DB44SS30500C *	TYPE F w/LINER 2-3/16" x 3-1/8"
300	DB4800C	300	DB48SS00C *	300	DB48SS30500C *	TYPE F w/LINER 2-7/16" x 3-3/8"
300	DB5200C *	300	DB52SS00C *	300	DB52SS30500C *	TYPE F w/LINER 2-11/16" x 3-5/8"
200	DB5600C *	200	DB56SS00C *	200	DB56SS30500C *	TYPE F w/LINER 2-15/16" x 3-7/8"
200	DB6000C *	200	DB60SS00C *	200	DB60SS30500C *	TYPE F w/LINER 3-3/16" X 4-1/8"
200	DB6400C *	200	DB64SS00C *	200	DB64SS30500C *	TYPE F w/LINER 3-7/16" x 4-3/8"
200	DB7200C *	200	DB72SS00C *	200	DB72SS30500C *	TYPE F w/LINER 3-15/16" x 4-7/8"
200	DB8000C *	200	DB80SS00C *	200	DB80SS30500C *	TYPE F w/LINER 4-7/16" x 5-3/8"
200	DB9600C *	200	DB96SS00C *	200	DB96SS30500C *	TYPE F w/LINER 5-7/16" x 6-3/8"
100	DB10400C *	100	DB104SS00C *	100	DB104SS30500C *	TYPE F w/LINER 5-15/16" x 6-7/8"

\* Non-Stock items please contact us for availability for most items we generally just need to install liner .....

FASCETTE MURRAY



W4 Din. class

W5 Din. class

BOX QTY	W4 BHM-(SERIES) 304SS	W5 BHL-(SERIES) 316SS	DIA. RANGE			SCREW DIA.	RATED TORQUE Nm MIN.	RATED TORQUE	
			mm	T mm	W mm			IN.	LBS.
50	BHM5X019SS00C *	BHL5X019SS00C	17-19	0,60	18,0	5	5,0	44	
50	BHM5X022SS00C *	BHL5X022SS00C	20-22	0,60	18,0	5	5,0	44	
50	BHM5X025SS00C *	BHL5X025SS00C	23-25	0,60	18,0	5	5,0	44	
50	BHM5X028SS00C *	BHL5X028SS00C	26-28	0,60	18,0	5	5,0	44	
50	BHM6X031SS00C *	BHL6X031SS00C	29-31	0,60	20,0	6	15,0	133	
50	BHM6X035SS00C *	BHL6X035SS00C	32-35	0,60	20,0	6	15,0	133	
50	BHM6X039SS00C *	BHL6X039SS00C	36-39	0,60	20,0	6	15,0	133	
50	BHM6X043SS00C *	BHL6X043SS00C	40-43	0,60	20,0	6	15,0	133	
50	BHM6X047SS00C *	BHL6X047SS00C	44-47	0,80	22,0	6	15,0	133	
50	BHM6X051SS00C *	BHL6X051SS00C	48-51	0,80	22,0	6	15,0	133	
50	BHM6X055SS00C *	BHL6X055SS00C	52-55	0,80	22,0	6	15,0	133	
50	BHM6X059SS00C *	BHL6X059SS00C	56-59	0,80	22,0	6	15,0	133	
50	BHM6X063SS00C *	BHL6X063SS00C	60-63	0,80	22,0	6	15,0	133	
50	BHM8X067SS00C *	BHL8X067SS00C	64-67	0,80	22,0	8	15,0	133	
50	BHM8X073SS00C *	BHL8X073SS00C	68-73	0,80	24,0	8	25,0	221	
50	BHM8X079SS00C *	BHL8X079SS00C	74-79	0,80	24,0	8	25,0	221	
50	BHM8X085SS00C *	BHL8X085SS00C	80-85	0,80	24,0	8	25,0	221	
50	BHM8X091SS00C *	BHL8X091SS00C	86-91	0,80	24,0	8	25,0	221	
50	BHM8X097SS00C *	BHL8X097SS00C	92-97	0,80	24,0	8	25,0	221	
50	BHM8X103SS00C *	BHL8X103SS00C	98-103	0,80	24,0	8	25,0	221	
50	BHM8X112SS00C *	BHL8X112SS00C	104-112	0,80	24,0	8	25,0	221	
50	BHM8X121SS00C *	BHL8X121SS00C	113-121	0,80	24,0	8	25,0	221	
50	BHM8X130SS00C *	BHL8X130SS00C	122-130	0,80	24,0	8	25,0	221	

W4 Din. class

W5 Din. class

BOX QTY	W4 BHM-(SERIES) 304SS	W5 BHL-(SERIES) 316SS	DIA. RANGE			SCREW DIA.	RATED TORQUE Nm MIN.	RATED TORQUE	
			mm	T mm	W mm			FT.	LBS.
50	BHM10X13900C *	BHL10X13900C	131-139	1,00	26,0	10	40,0	30	
50	BHM10X14800C *	BHL10X14800C	140-148	1,00	26,0	10	40,0	30	
50	BHM10X16100C *	BHL10X16100C	149-161	1,00	26,0	10	40,0	30	
50	BHM10X17400C *	BHL10X17400C	162-174	1,00	26,0	10	40,0	30	
50	BHM10X18700C *	BHL10X18700C	175-187	1,00	26,0	10	40,0	30	
50	BHM10X20000C *	BHL10X20000C	188-200	1,00	26,0	10	40,0	30	
50	BHM10X21300C *	BHL10X21300C	201-213	1,00	26,0	10	40,0	30	
50	BHM10X22600C *	BHL10X22600C	214-226	1,00	26,0	10	40,0	30	
50	BHM10X23900C *	BHL10X23900C	227-239	1,00	26,0	10	40,0	30	
50	BHM10X25200C *	BHL10X25200C	240-252	1,00	26,0	10	40,0	30	
50	BHM10X26500C *	BHL10X26500C	253-265	1,00	26,0	10	40,0	30	
50	BHM10X27800C *	BHL10X27800C	266-278	1,00	26,0	10	40,0	30	
50	BHM10X29100C *	BHL10X29100C	279-291	1,00	26,0	10	40,0	30	
50	BHM10X30400C *	BHL10X30400C	292-304	1,00	26,0	10	40,0	30	