

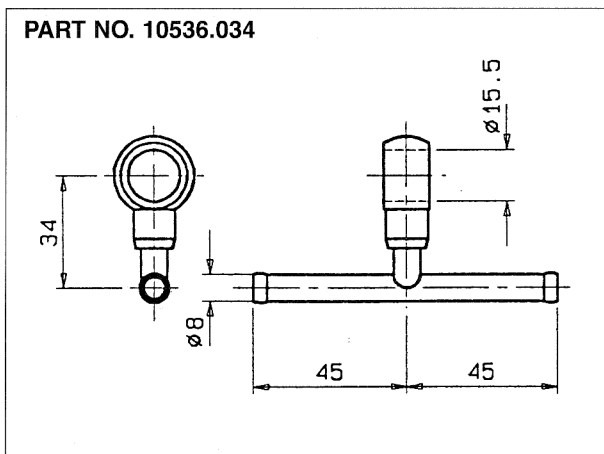
# Part Five

## AUXILIARY COMPONENTS

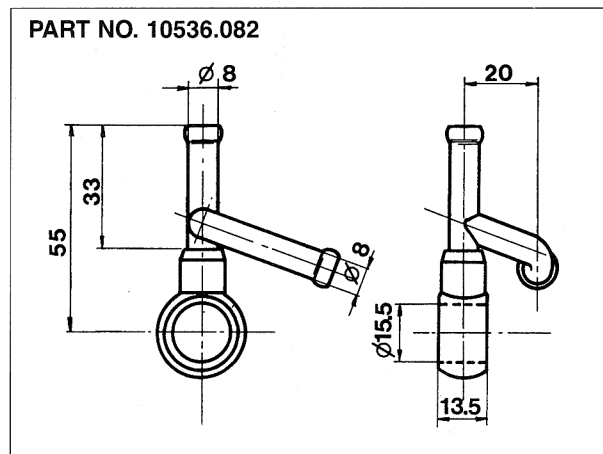


Tel. +39 011 8224969  
Fax +39 011 8225073  
E-mail: info@tecno2.it

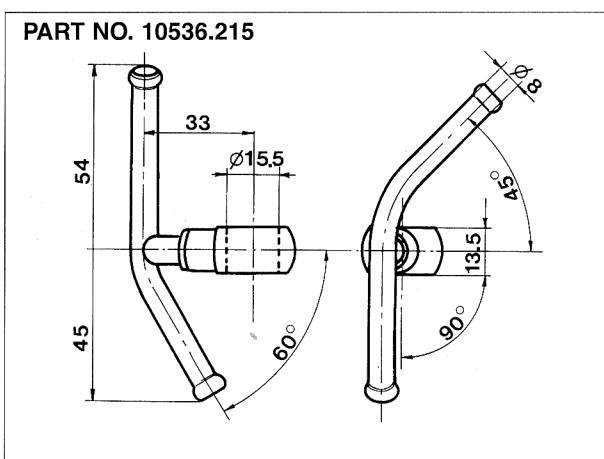
### Fuel Inlet Pipes



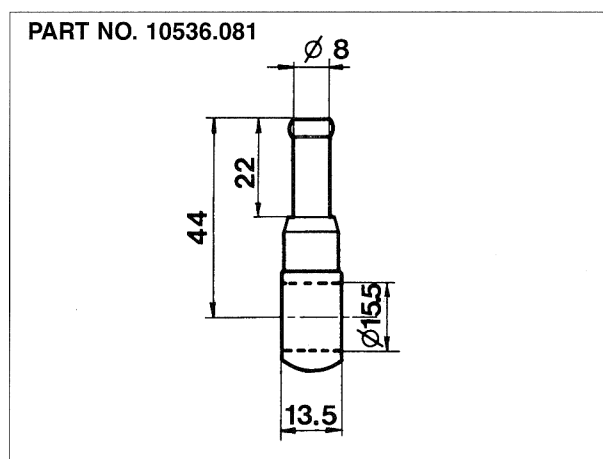
FOR CARBURETTOR TYPES DCO/DCOE



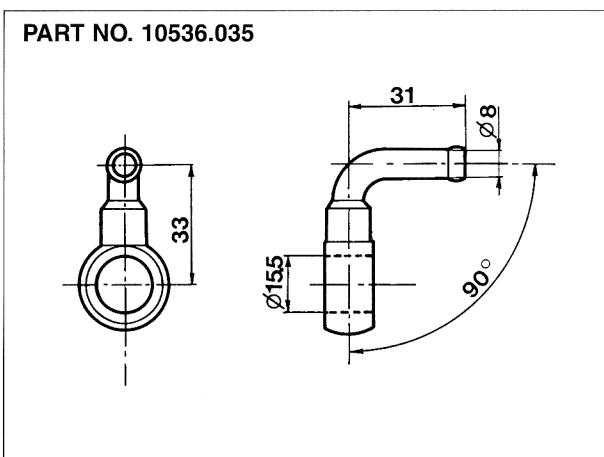
FOR CARBURETTOR TYPES DCO/DCOE



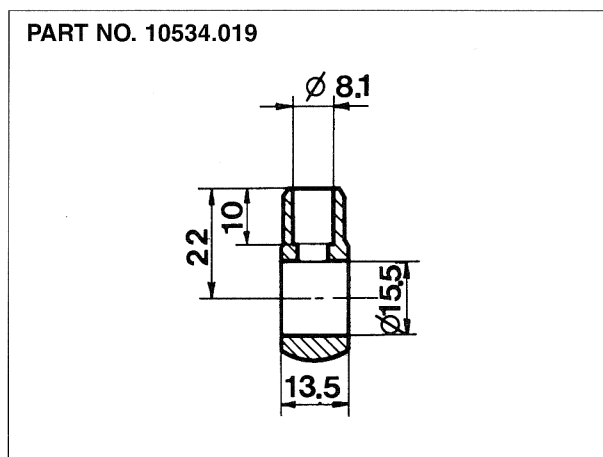
FOR CARBURETTOR TYPES DCO/DCOE



FOR CARBURETTOR TYPES DCO/DCOE



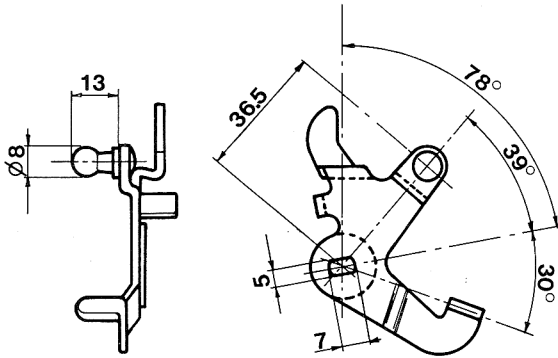
CARBURETTOR TYPE DCO/DCOE



CARBURETTOR TYPE DCO/DCOE

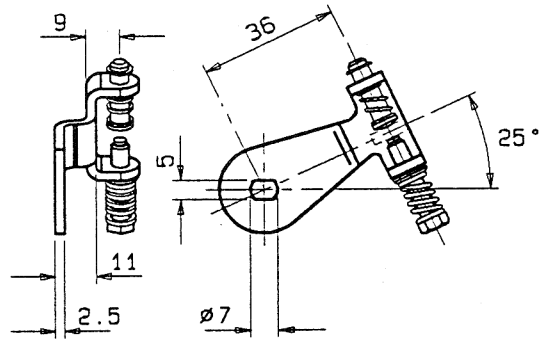
## Throttle Levers

PART NO. 45041.145 04



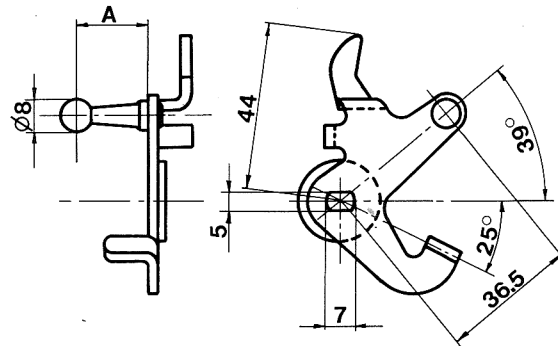
CARBURETTOR TYPE 48 DCO 2/SP/DCOE

PART NO. 45041.147



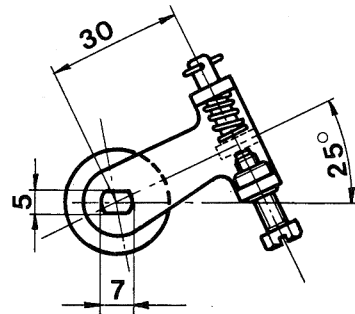
FOR CARBURETTOR TYPES  
48 DCO 2/SP TYPES DCOE

PART NOS. A=19 45041.109 & A=13 45041.085



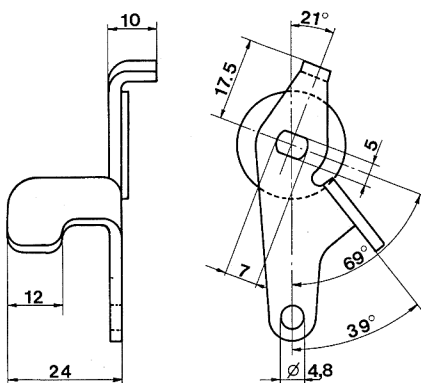
FOR CARBURETTOR TYPES  
48 DCO 2/SP/DCOE

PART NO. 45048.018



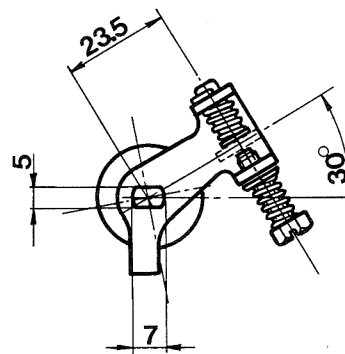
FOR CARBURETTOR TYPES  
48 DCO 2/SP/DCOE

PART NO. 45041.023



FOR CARBURETTOR TYPES  
48 DCO 2/SP/DCOE

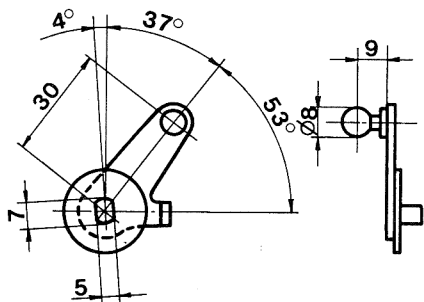
PART NO. 45048.005



FOR CARBURETTOR TYPES  
48 DCO 2/SP/DCOE

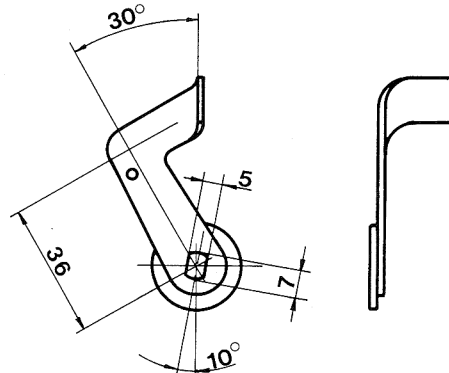


**PART NO. 45034.042**



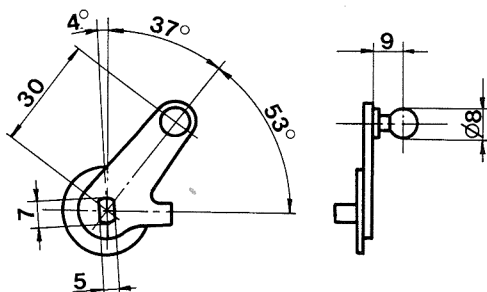
**FOR CARBURETTOR TYPES  
 48 DCO 2/SP/DCE**

**PART NO. 45034.084**



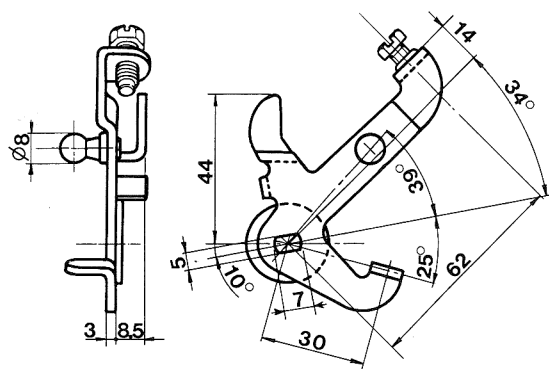
**FOR CARBURETTOR TYPES  
 48 DCO 2/SP/DCE**

**PART NO. 45034.044**



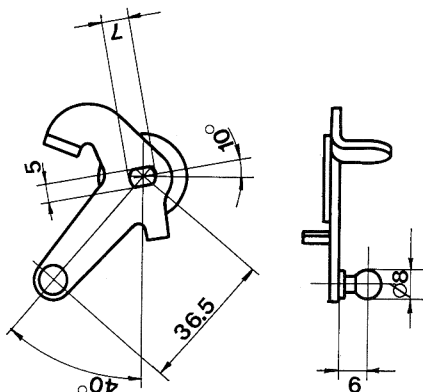
**FOR CARBURETTOR TYPES  
 48 DCO 2/SP/DCE**

**PART NO. 45048.087**



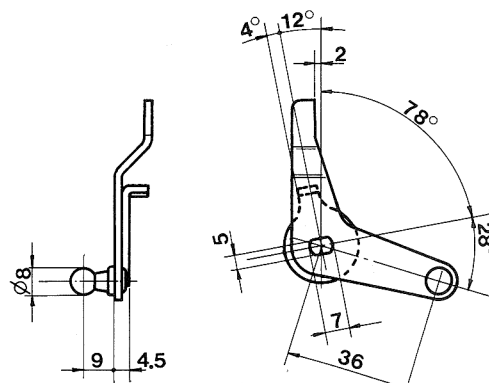
**FOR CARBURETTOR TYPES  
 48 DCO 2/SP/DCE**

**PART NO. 45041.009**



**FOR CARBURETTOR TYPES  
 48 DCO 2/SP/DCE**

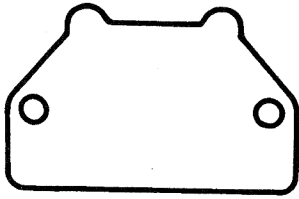
**PART NO. 45034.093**



**FOR CARBURETTOR TYPES  
 48 DCO 2/SP/DCE**

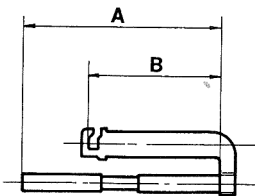
## Starter System Cover

PART NO. 52135.008



## PUMP RODS

Part Number	A	B
10410.001	58.5	33.75
10410.015	54.5	38.55
10410.012	63	38.25
10410.004	61	39
10410.012	61	38.55
10410.016	58.5	38.55
10410.018	48.5	38.55
10410.024	63	40.55
10410.025	63	41
10410.026	58.5	39

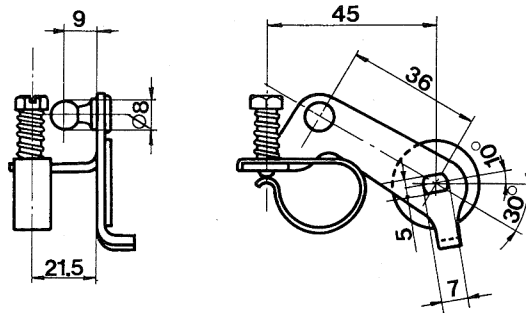


FOR CARBURETTOR TYPES DCO/DCOE

## Choke Tubes

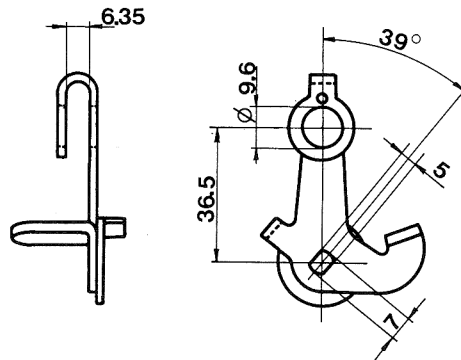
Part Number	48 DCO	50 DCO	55 DCO	40 DCOE	45 DCOE	40 IDF	44 IDF	48 IDF
71506.280						•		
71506.300						•		
71506.320						•		
71507.320							•	
71507.340							•	
71507.360							•	
71513.400								•
71513.410								•
72136.420	•	•						
72136.430	•	•						
72136.460	•	•						
72135.460			•					
72135.470			•					
72135.480			•					
72116.320					•			
72116.340					•			
72116.350					•			
72116.360					•			
72302.300				•				
72302.320				•				
72302.340				•				

PART NO. 45041.025



FOR CARBURETTOR TYPES  
48 DCO 2/SP/DCOE

PART NO. 45048.007



CARBURETTOR TYPE DCOE  
FOR CARBURETTOR/DCO/SP

## Auxiliary Venturi

Part Number	48 DCO	50 DCO	55 DCO	40 DCOE	45 DCOE	40 IDF	44 IDF	48 IDF
69002.400						•		
69002.450						•		
71102.350							•	
71102.400							•	
71102.450							•	
71124.350								•
71124.450								•
68820.500	•	•	•					
68820.650	•	•	•					
68820.700	•	•	•					
69912.450				•				
69602.300					•			
69602.350					•			
69602.450					•			
69602.500					•			

## Accelerator Pump Springs for DCOE Series Carburetors

47600.064  
 47600.068  
 47600.034  
 47600.005 (Owing to the extreme tension of this spring it is inadvisable to employ this spring unless absolutely necessary)

## Throttle Return Springs for DCOE Series Carburetors

(Arranged in order from weakest to strongest)

47605.027  
 47605.009

## Idle Jet Holders for 48 IDA Series

77903                      0.60; 1.00; 1.10; 1.20

## Pump Cams for DCNF Carburetors

Stroke	Timing in Degrees of Throttle Shaft Rotation		Part No.
	Start	Finish	
1.75 mm	0°	36°	14852.014
2.75 mm	5°	21°	14852.013
2.75 mm	0°	34°	14852.009
2.95 mm	0°	35°	14852.010
2.95 mm	0°	43°	14852.008
3.35 mm	0°	21°	14852.042
10.55 mm	0°	57°	14852.011

(Std on 40 DCNF 12)

## Starter Jets

75602	F2-DCOE Series	1.80
75603	F3-DCOE Series	1.00
75604	F4-DCOE Series	1.00
75605	F5-DCOE Series	0.60; 0.65; 0.75; 0.80; 0.85; 0.90; 0.95; 1.00; 1.10; 1.20; 1.25; 1.30; 1.40; 1.50
75606	F6-DCOE Series	0.60; 1.20; 1.80;
75607	F7-DCOE Series	0.50; 0.80; 1.10
75608	F8-DCOE Series	0.90

## DCOE Flexible Mounting System

99900.516 50mm grooved spacer plate  
 99900.517 48-50mm grooved spacer plate  
 99900.519 45mm grooved spacer plate  
 99900.520 40mm grooved spacer plate  
 99900.528 'O' ring for above  
 99902.781 Plate with 'O' ring  
 99005.570 Grommet (use with 99005.571)  
 99005.571 Washer (use with 99005.570)  
 99900.477 5/16 UNF Nyloc nut  
 99900.310 Thackery washer, 5/16



Tel. +39 011 8224969  
 Fax +39 011 8225073  
 E-mail: info@tecno2.it

## Quad Barrel Calibrated Parts

### Metering Jets

These are sized in thou. and operate on the carburettor's primary secondary main circuits.

Part Number	Size
1420	.077"
1422	.083"
1424	.088"
1425	.092"
1427	.098"
1428	.100"
1430	.104"

### Metering Rods

These stepped rods operate through the main jets on the primary circuit, lifting under high load conditions, to provide enrichment.

The values given indicate the diameter of the two steps.

1439	.060" x .052"
1461	.065" x .057"

### Step-up Spring Assortment 1464

These springs, available in a kit, control the movement of the metering rods. The stronger the spring, the sooner it can overcome manifold vacuum and therefore lift the rod at a smaller throttle opening, to provide enrichment.

The springs are colour-coded: - Blue being the strongest, then yellow, orange, pink and silver the weakest.

### Calibration Kit 1486

This kit comprises the following:

#### Metering Rods (Pair)

.057 x .049
.062 x .052
.063 x .047
.067 x .055
.068 x .052

#### Metering Jets (Pair)

.083
.089
.092
.098

#### Step-up Springs (Pair)

3 inch Hg	Blue
4 inch Hg	Yellow
5 inch Hg	Orange
7 inch Hg	Pink
8 inch Hg	Silver

Heat Insulator Gasket	9266
Off Road Needle Valve	1465
Float and Hinge Pin Assembly	1469
Accelerator Pump Pin Assembly	1470
Air Horn Main Gasket	1472
Accelerator Pump Cluster	1475
Master Re-build Kit	1477

## Throttle Shaft Application List

40 DCOE 151	-	10005446
45 DCOE 152	-	10005438
48 DCO/SP	-	10020424
50 DCO/SP	-	10020422
55 DCO/SP	-	10020240
40 IDF 70	-	10005243
44 IDF 71	-	10005243
48 IDF 7	-	10005244

## Idle Adjustment Tool 99902191

Many models of TLDM Carburettor fitted to Ford applications have an idle mixture screw which can only be adjusted using a special tool which is effectively an Alan key, with a hole drilled into the end of it. We can now supply this tool, our Part Number 99902191.



Tel. +39 011 8224969  
Fax +39 011 8225073  
E-mail: info@tecno2.it

## Linkages for DCOE Carburettors

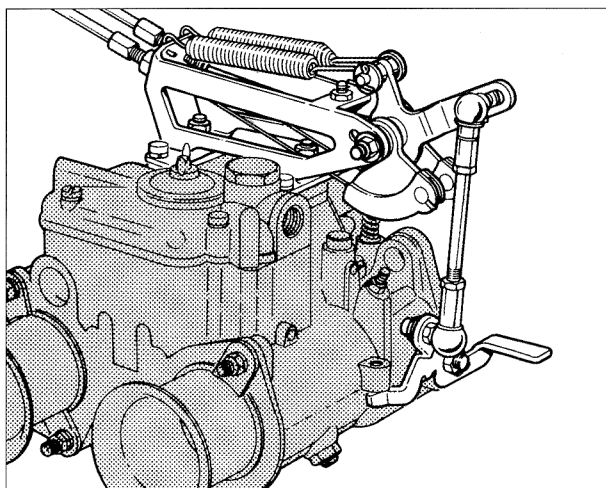
WEBCON announce their own designs and layouts of linkage for DCOE and DCO/SP carburettors. These have:

### The following versatile features:

- Different versions for fitting above or below the carburettors
- Different versions available for single or twin cable operation
- All can be used on single or twin carburettor installations (for-in-line engines)
- All can be fitted with the cable routed from either side.

### The following safety features:

- Fitted with adjustable over-centre stop
- Twin return springs
- Twin sintered bronze self-lubricating quadrant bearings
- High quality 8 mm steel ball joints.

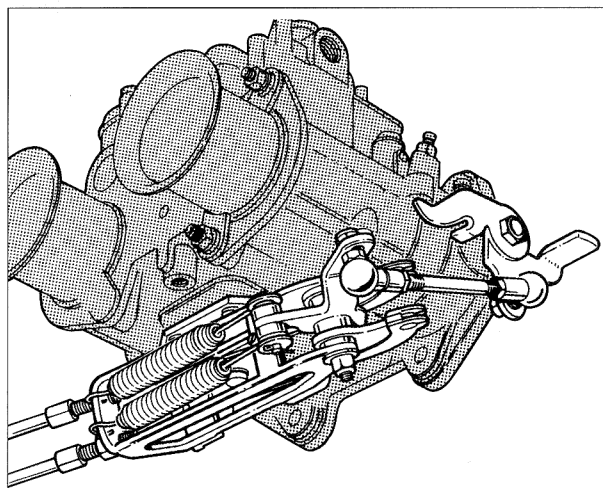


### And the following other features:

- Inner cable connects to quadrant cam for smooth linear action
- Lightweight construction fabricated in zinc-plated steel, which matches existing steel components on the carburettor
- Adjustment for throttle cable movement from 22 mm to 40 mm
- Complete with all fitting accessories and a set of instructions.

### The four versions available are:

- LP 1000** Top mounting for single cable operation incorporates clamp-on ferrule for use with existing throttle cable.
- LP 2000** Top mounting for twin cable operation, kit includes twin cables.
- LP 3000** Bottom mounting for single cable operation incorporates clamp-on ferrule for use with existing throttle cable.
- LP 4000** Bottom mounting for twin cable operation, kit includes twin cables.
- LP 8000** Linkage for Rover V8 auto with a quad-barrel carburettor.



Tel. +39 011 8224969  
Fax +39 011 8225073  
E-mail: info@tecno2.it



## INLET MANIFOLDS

Tel. +39 011 8224969  
 Fax +39 011 8225073  
 E-mail: info@tecno2.it

The following is a list of the most popular inlet manifolds for performance tuning

ENGINE	CARBURETTOR	MANIFOLD
BL A TYPE	1 X 45 DCOE 6 inches	MM4030
BL A TYPE	1 X 45 DCOE 2.5 inches	MM4040
BL A TYPE	1 X 45 DCOE 4 inches	MM4050
BL A TYPE	1 X 32/34 DMTL	MM4065
MGB	1 X 45 DCOE	MT0033
K SERIES	2 X 45 DCOE	MM4180 B
FORD 1.1/1.3 OHV	1 X DGV	MM4220
FORD 1.6/2.0 OHC	1 X DGV	MM4232 A
FORD 1.1/1.3 OHV	2 X 40 DCOE	MM4240 A
FORD 1.6 OHV short	2 X 40 DCOE	MM4242-1A
FORD 1.6 OHV short	2 X 45 DCOE	MM4242-1B
FORD 1.6 CVH	2 X 40 DCOE	MM4246-1
FORD 1.6 CVH	2 X 45 DCOE	MM4246 B
FORD COS. SIERRA	2 X 45 DCOE	MM4248-1
FORD 1.6 OHV	2 X 40 DCOE	MM4250-1A
FORD 1.6 OHV	2 X 45 DCOE	MM4250-2A
FORD OHC	2 X 40 DCOE	MM4270-1
FORD OHC	2 X 45 DCOE	MM4270-2
FORD OHC (short 1-15")	2 X 40 DCOE	MM4272
FORD OHC (short 1-15")	2 X 45 DCOE	MM4272 B
FORD ZETEC 1.6/1.8/2.0	2 X 45 DCOE	MM5000
GM 2.0 16V XE	2 X 45 DCOE	MM5100
GM 1.2/1.3 NOVA/ASTRA	2 X 40 DCOE	MM4560
GM ASTRA 1.6/1.8 TO 87	2 X 45 DCOE	MM4561
GM CAVALIER 1.8 TO 87	2 X 45 DCOE	MM4562
GM NOVA 1.6GTE/CORSA GSI	2 X 40 DCOE	MM4563
GM ASTRA/CAVALIER 1.6 88 on NOVA/CORSA 1.4	2 X 40 DCOE	MM4564
GM 2.0 OHC 8V	2 X 45 DCOE	MM4567
GM MANTA/ASCONA 1.6/1.9	2 X 40 DCOE	MM4570-1
GM MANTA/ASCONA 1.6/1.9	2 X 45 DCOE	MM4570-2
GM ECOTEC 2.0 16V	2 X 45 DCOE	MM5200
GM ECOTEC 1.6 16V	2 X 40 DCOE	MM5600
GM ECOTEC 1.6 16V 7°	2 X 40 DCOE	MM5700
PEUGEOT 205	2 X 40 DCOE	MM4980 A
PEUGEOT 205	2 X 45 DCOE	MM4980 B
VW GOLF/SCIROCCO/PASSAT 8V	2 X 40 DCOE	MM4650 A
VW GOLF/SCIROCCO/PASSAT 8V	2 X 45 DCOE	MM4650 B
VW GOLF 1.8&2.0 16V	2 X 40 DCOE	MM4657 A
VW GOLF 1.8&2.0 16V	2 X 45 DCOE	MM4657 B

DCOE-Oring mounting kit comprising  
 "O" ring, rubber grommets and  
 cup washers to mount 1 X DCOE

FK0001

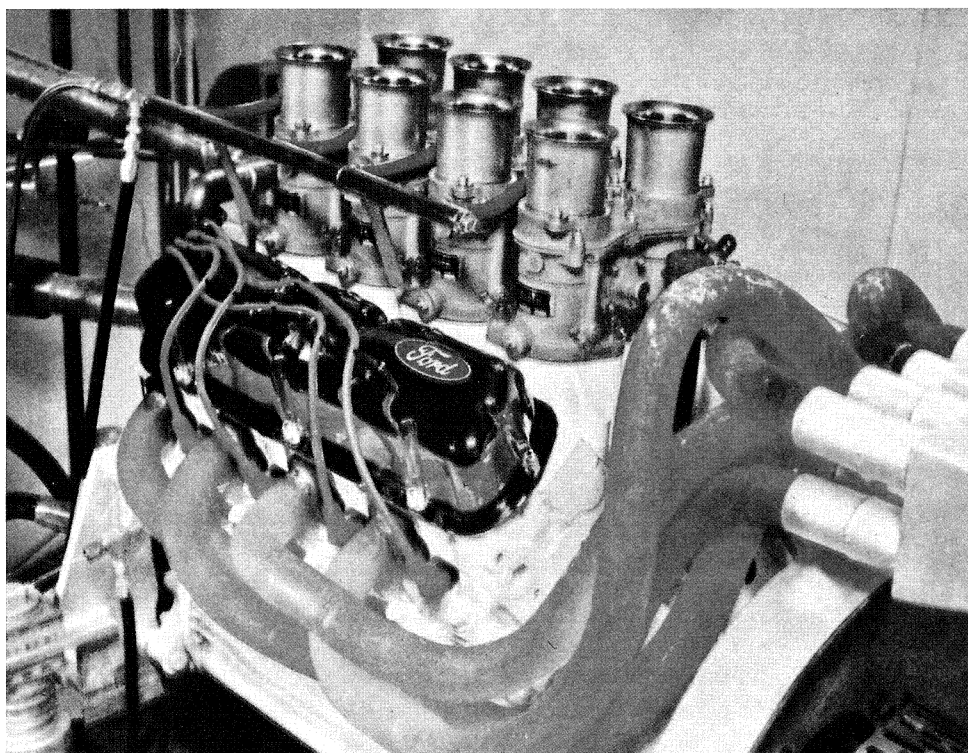
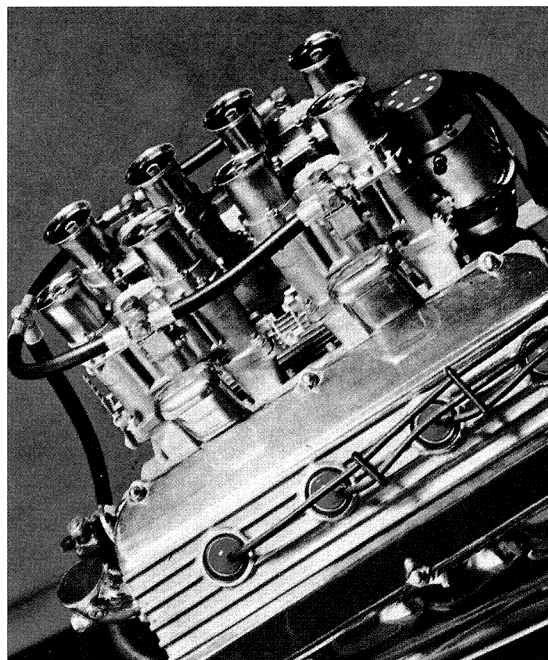
Many installations other than those listed above are possible using Weber performance carburetors and manifolds, which can be obtained from various manufacturers. Please contact: Webcon Technical Services on: **44 (0) 1932 750203** for further information and assistance.



# American Sport Engines fitted with Weber Carburettors



Tel. +39 011 8224969  
Fax +39 011 8225073  
E-mail: info@tecno2.it



All rights reserved. No reproduction, whether total or partial, is permitted without written consent by Webcon UK Ltd.

© copyright Webcon UK Ltd., Dolphin Road, Sunbury-on-Thames, Middlesex TW16 7HE

Email: sales@webcon.co.uk Website: <http://www.webcon.co.uk>

Printed by Aaron Printing Limited, West Molesey, Surrey.