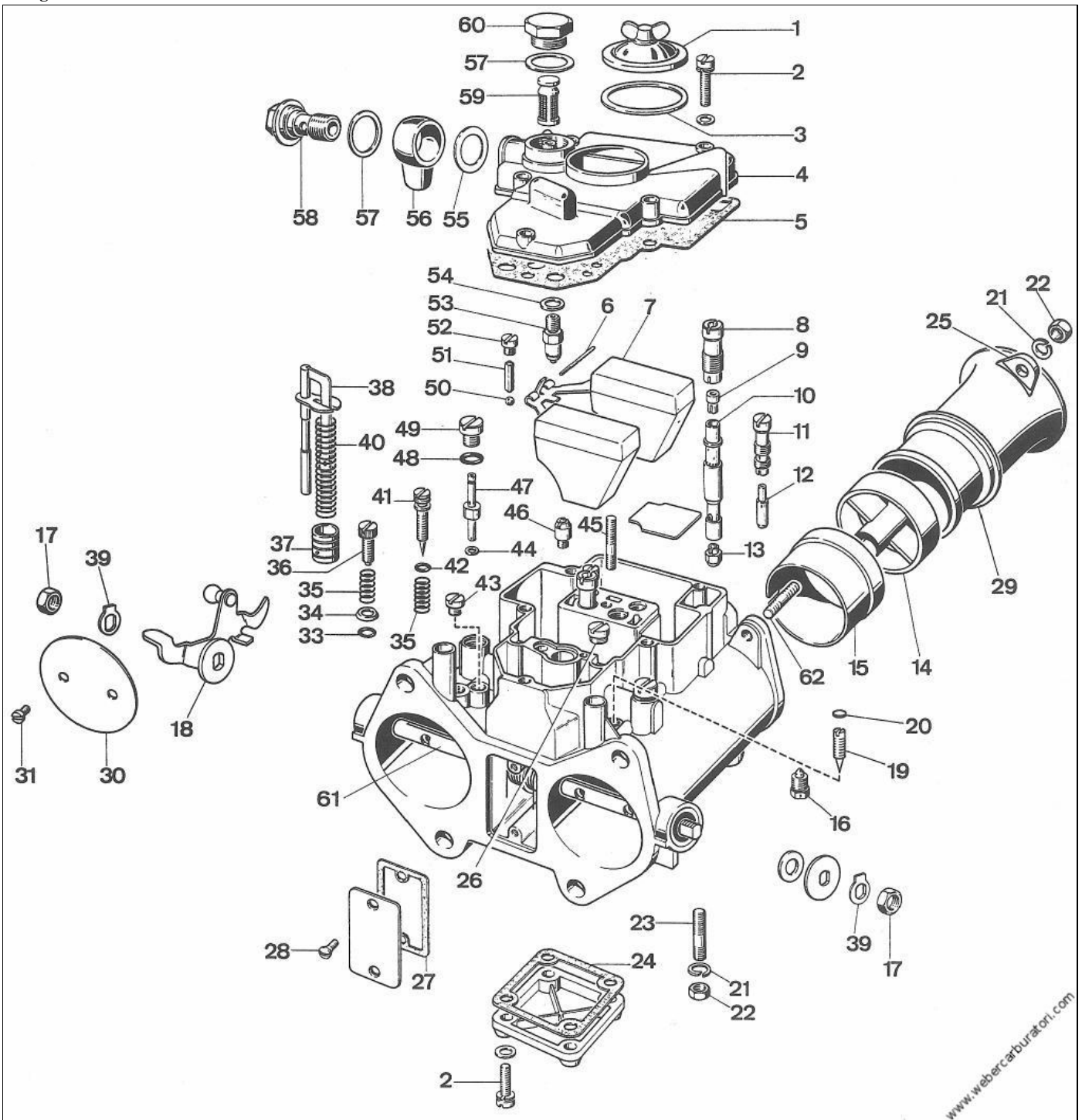


Parts

Fig.	Qty	Description	Code		Fig.	Qty	Description	Code	
1	1	Jet Inspection Cover	32376.003		33	2	Throttle Stop Screw 'O' Ring	41565.002	
2	9	Screw	64700.001		34	1	Throttle Stop Screw 'O' Ring Cap	58000.006	
3	1	Jet Inspection Cover Gasket	41550.009	M					
4	1	Carburettor Cover	31734.199		35	3	Mixture Screw Spring	47600.007	
5	1	Carburettor Cover Gasket	41715.011	M	36	1	Throttle Stop Screw	64625.015	
6	1	Float Pin	52000.001	R	37	1	Pump Plunger	58602.003	
7	1	Float	41030.034		38	1	Pump Rod	10410.015	
8	2	Emulsion Tube Holder	52580.001		39	2	Throttle Spindle Lock Washer	55520.004	R
9	2	Air Corrector	77401.160		40	1	Pump Rod Spring	47600.068	
10	2	Emulsion Tube	61450.091		41	2	Mixture Screw	64750.058	
11	2	Idle Jet Holder	52585.006		42	2	Mixture Screw 'O' Ring	41565.015	M
12	2	Idle Jet	74821.065		43	2	Vacuum Take Off Cover	64590.008	
13	2	Main Jet	73401.180		44	2	Pump Jet Gasket	41535.021	M
14	2	Auxiliary Venturi	68820.500		45	1	Stud	64955.007	
15	2	Venturi (Choke Tube)	72136.420		46	1	Pump Spill	79701.100	
16	4	Screw	64840.003		47	2	Pump Jet	76801.045	
17	1	Throttle Spindle Nut	34710.003		48	2	Pump Jet Cover 'O' Ring	41565.009	M
18	1	Throttle Lever	45041.145.04		49	2	Pump Jet Cover	61015.008	
19	2	Air By-Pass Screw	64595.012		50	2	Pump Demand Valve Ball	58300.003	
20	2	Air By-Pass Screw Cover	61030.008		51	2	Pump Demand Valve Weight	52730.001	
21	5	Spring Washer	55525.010		52	2	Pump Demand Valve Cover	61015.006	
22	5	Support Bracket Fixing Nut	34705.004		53	1	Needle Valve	79503.250	M
23	1	Support Bracket Stud	64955.104		54	1	Needle Valve Gasket	83102.100	M
24	1	Bottom Cover Gasket	41640.066	R	55	1	Fuel Union Gasket	41530.031	M
25	4	Air Horn Tab	52135.053		56	1	Fuel Union	10354.019	
26	2	Progression Hole Inspection Cover	61015.009		57	2	Fuel Union and Filter Cover Gasket	41530.024	M
27	1	Inspection Cover Gasket	41640.065	R	58	1	Fuel Union Bolt	12715.008	
28	2	Inspection Cover Fixing Screw	64570.009		59	1	Fuel Filter	37022.002	M
29	1	Air Horn	52840.034		60	1	Fuel Filter Cover	61002.010	
30	2	Throttle Plate	64005.108		61	1	Throttle Shaft	10020.424	
31	4	Throttle Plate Fixing Screw	64520.027						
32	4	Stud	64955.110		M+R		Service Kit	92.1462.05.01	

Figure



Calibration

Choke	42	Spark Advance Orifice	N/A
Auxiliary Venturi	5.0	Progression Holes	100/100/100
Main Jet	180	Throttle Plate Angle	N/A
Air Corrector Jet	160	Needle Valve	250
Emulsion Tube	F7	Pump Jet	45
Idle Jet	F8/65	Pump Spill	100
Idle Mixture Orifice/Bush	135	Float Level	12 mm