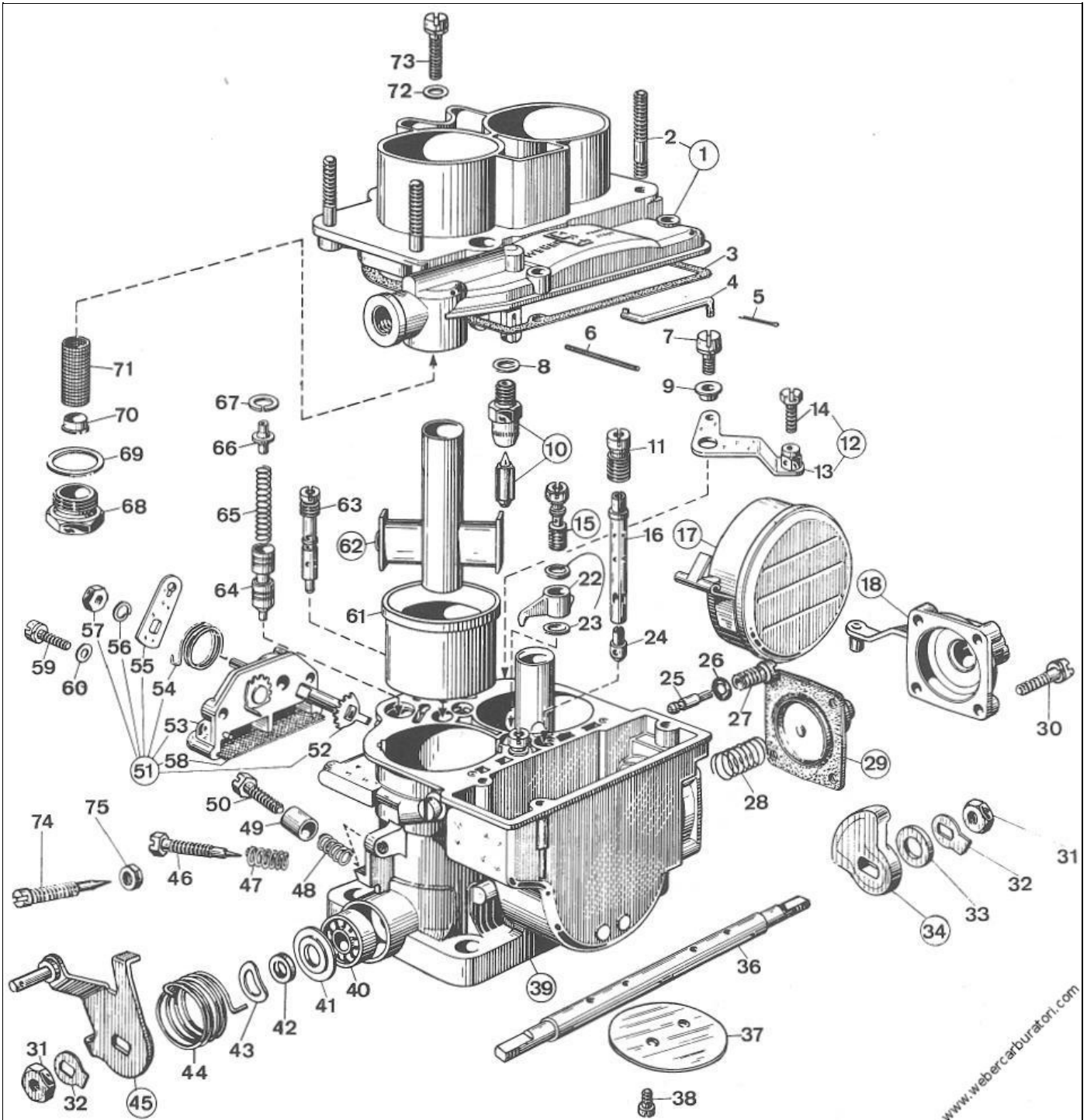


Parts

Fig.	Qty	Description	Code	Fig.	Qty	Description	Code
1	1	Carburettor Top Cover	31716.082	43	2	'O' Ring	55530.010
2	4	Stud	64955.007	44	1	Throttle Return Spring	47610.078
3	1	Top Cover Gasket	41705.029	45	1	Throttle Control Lever	45041.049
4	1	Choke Control Rod	61280.056	46	2	Idle Mixture Screw	64755.007
5	1	Split Pin	32610.006	47	2	Idle Mixture Screw Spring	47600.007
6	1	Float Spindle	52000.010	48	1	Throttle Stop Screw Ring	47600.007
7	1	Screw	64700.012	49	1	Throttle Stop Screw Spacer	12785.013
8	1	Needle Valve 'O' Ring	41535.015	50	1	Throttle Stop Screw	64625.014
9	1	Bush	12775.010	51	1	Starter Cover	32556.017
10	1	Needle Valve	79514.175	52	1	Choke Control Spindle	10085.009
11	2	Air Corrector Jet	77501.220	53	1	Cover	32556.016
12	1	Choke Control Lever	45096.020	54	1	Return Spring	47610.043
13	1	Lever	45096.019	55	1	Choke Lever	45025.089
14	1	Screw	64615.004	56	1	Spring Washer	55525.010
15	1	Pump Demand Valve	64290.014	57	1	Nut	34715.010
16	2	Emulsion Tube	61450.224	58	1	Filter Gauze	37000.016
17	1	Float	41015.005	59	2	Choke Cover Screw	64700.004
18	1	Pump Cover	32486.041	60	2	Washer	55510.038
22	1	Pump Jet	76215.045	61	2	Venturi (Choke Tube)	72129.320
23	2	Pump Jet 'O' Ring	41530.012	62	2	Auxiliary Venturi	71107.450
24	2	Main Jet	73405.125	63	2	Starter Jet	75605.075
25	2	Idle Jet	74405.050	64	2	Starter Valve	64330.008
26	2	Idle Jet 'O' Ring	41565.002	65	2	Starter Valve Spring	47600.139
27	2	Idle Jet Holder	52570.006	66	2	Spring Guide	12775.024
28	1	Pump Spring	47600.107	67	2	Spring Clip	10140.002
29	1	Pump Diaphragm	47407.050	68	1	Fuel Filter Inspection Cover	61002.010
30	4	Pump Cover Screw	64700.006	69	1	Fuel Filter Cover Gasket	41530.024
31	2	Throttle Spindle Nut	34710.003	70	1	Filter Washer	61060.001
32	2	Lock Washer	55520.004	71	1	Fuel Filter	37020.002
33	1	Bush	12750.032	72	4	Washer	55510.034
34	1	Pump Cam	14852.011	73	4	Top Cover Screw	64700.005
36	1	Throttle Spindle	10005.211	74	2	Air By-Pass Screw	64750.002
37	2	Throttle Valve	64005.020	75	2	Air By-Pass Screw Locking Nut	34705.001
38	4	Throttle Valve Screw	64520.027				
40	2	Roller Bearing	32650.001				
41	2	Bearing Cover	58000.017			Gasket Kit	92.0077.05
42	2	Spacer Bush	12750.053			Service Kit	92.1637.05

Figure



Calibration

Choke	32	Needle Valve	175
Auxiliary Venturi	4.5	Pump Jet	45
Main Jet	125	Float Level	50 mm
Air Corrector Jet	220	Starter Jet	75/F5
Emulsion Tube	F24	Pump Demand Valve	100
Idle Jet	50		