

*The world's most advanced  
TOTAL ENGINE COOLING MANAGEMENT*

**EWP** ELECTRIC  
WATER PUMP

**NEW!**



- ✓ *more power*
- ✓ *more cooling*
- ✓ *increase fuel efficiency*
- ✓ *world-leading Australian technology*
- ✓ *extend engine life*
- ✓ *universal fit*



**Part #8030**

## ***The EWP<sup>®</sup>115 Electric Water Pump and Electronic Digital Controller***

The EWP<sup>®</sup>115 is the latest in Davies, Craig's range of simple, DIY electric water pumps designed to replace your existing belt-driven water pump.

Lighter and more powerful, the EWP<sup>®</sup>115 (115 litres per minute) pump is suitable for small, medium, large, high-performance and 4WD vehicles. It's a performance product that improves engine cooling control and capacity whilst giving you more power and torque and improved fuel economy.

Mechanical belt-driven water pumps run directly off the motor and sap engine power ... the EWP<sup>®</sup>115 is hard-wired into your electrical system, by-passing the engine and releasing up to an additional 15kw (20hp).

Combined with the EWP<sup>®</sup> Electronic Digital Controller, the pump continues to run after you've switched off, eliminating "heat soak" and extending engine life.

Davies, Craig's revolutionary, Australian-designed EWP<sup>®</sup> pumps are made from anti-corrosive, lightweight, glass-filled nylon. Their universal fit allows for easy mounting into the bottom radiator hose.

Our kits come with easy-to-understand DIY instructions and everything you need for easy installation, including different couplings to fit every hose size and all necessary electrical wiring.

The EWP<sup>®</sup>115 and EWP<sup>®</sup> Digital Controller Combination Pack is the most economical way to increase horsepower and save on fuel consumption whilst caring for your engine.



**DAVIES,  
CRAIG** PTY.  
LTD.

***The EWP<sup>®</sup>115 & Digital Controller will suit almost every vehicle***

**For assistance or advice, please contact Davies, Craig  
or visit [www.daviescraig.com.au](http://www.daviescraig.com.au)**

# Specifications Part #8030



- ✓ PERFORMANCE ENHANCING
- ✓ INCREASED COOLING CAPACITY!
- ✓ FUEL SAVING!
- ✓ INCREASED ENGINE POWER & TORQUE

## and EWP® DIGITAL CONTROLLER VALUE COMBINATION PACK

The EWP®115 Electric Water Pump and EWP® Digital Controller – a simple, do-it-yourself, easy-to-install Electric Water Pump/Digital Controller Combination Pack designed to replace your existing belt-driven mechanical water pump.

1. The fitment of the EWP® Digital Controller with the EWP®115 is designed for optimum engine temperature control. The EWP® Digital Controller will vary the speed of the EWP®115 in response to the engine temperature.
2. The EWP® Digital Controller has a microprocessor which supplies the pump with the prescribed voltage that will run it at exactly the right flow rate to maintain the targeted engine temperature. You set the temperature you want on the Digital Controller for either maximum power or fuel efficiency!

3. The EWP®115, when fitted with the EWP® Digital Electronic Controller, is designed to run on for two minutes (or Set -5°C) after hot engine shut down, eliminating heat soak.
4. The EWP®115 and Digital Electronic Controller Combination Pack fitment requires the removal of the engine thermostat and disengagement of the mechanical water pump.
5. Alternatively you may choose to bypass the water pump pulley from the belt set-up, using a shorter belt.
6. Full, easy do-it-yourself fitting and operating instructions for both units are included.

*When using the EWP®115 on vehicles using LPG, it is recommended that a Davies, Craig Electronic Booster Pump (part #9001) be fitted in the heater line to eliminate the risk of freezing LPG in the converter.*

## Technical Specifications

### EWP®115 Electric Water Pump

|                          |  |
|--------------------------|--|
| Operating voltage        | 3V DC to 15V DC                                  |
| Maximum current          | 10A  |
| Maximum flow             | 115 L/min, (1822 gal (US)/hr) at 13V DC          |
| Operating temperature    | -40°C to 130°C (-4°F to 284°F)                   |
| Pump design              | Clockwise centrifugal with volute chamber        |
| Motor life               | 7000 hours continuous at 80°C (180°F) and 12V DC |
| Pump weight              | 980 grams (2.16lb)                               |
| Pump material            | Nylon 66, 30% glass filled                       |
| Burst pressure           | 500 kPa (70 psi)                                 |
| Fits radiator hose sizes | 32mm to 51mm (1 1/4" to 2")                      |

### EWP®115 Digital Electronic Controller

|                       |   |
|-----------------------|---|
| Input voltage         | 12V DC to 13.5V DC  |
| Operating voltage     | 5V to 13.5V   |
| Maximum current       | 12A   |
| Operating temperature | -20°C to 60°C (5°F to 140°F)                                |
| Setting temperatures  | 75°, 80°, 85°, 90°, 95°C<br>(167°, 176°, 185°, 194°, 203°F) |
| Controller type       | PCB with micro processor                                    |
| Sensor type           | Thermister in waterproof housing                            |
| Time out              | 2 minutes (or Set -5°C) after ignition OFF                  |
| Indicator LEDs        | Temp, Power ON, Pump mode, Test                             |
| Weight                | 90 grams (3.2oz)  |

Your local stockist is

For more information, visit [www.daviescraig.com.au](http://www.daviescraig.com.au)

Designed and manufactured in Australia

US Patent No: 6425353 / Australian Patent No: 756456 / European Patent No: 1133624 / Japan and Indian patents pending  
EWP is a Registered Trade Mark of Davies, Craig Pty Ltd (ACN 004 918 825)

28194 12/08



Australian Head Office  
77 Taras Avenue / PO Box 363,  
Altona North VIC 3025 Australia  
Ph: +61 3 9369 1234 Fax: +61 3 9369 3456  
Email: [info@daviescraig.com.au](mailto:info@daviescraig.com.au) Web: [www.daviescraig.com.au](http://www.daviescraig.com.au)

For overseas distributor details, please refer to Davies, Craig website.



Quality Endorsed Company

Lic No. 4528  
Manufactured under a Quality System certified as complying with ISO 9001 by an accredited certification body.



# DIGITAL EWP CONTROLLER

Part No. 8020

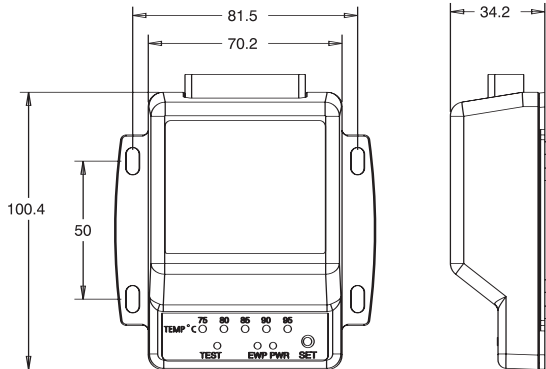
For Optimum control of Electric Water Pumps  
Suits Davies, Craig EWP80, EWPI10 & EBP



### Technical Specifications

|                        |                           |
|------------------------|---------------------------|
| Input Voltage          | 12V DC to 13.5V DC        |
| Output Voltage         | 5V to 13.5V               |
| Maximum Current        | 12.0 Amps                 |
| Operating Temperatures | 75, 80, 85, 90, 95 DegC   |
| Controller Type        | PCB with micro-processor  |
| Sensor Type            | Thermister in housing     |
| Time-out               | 2 min. max or set -5 DegC |
| Indicator LEDs         | Temp., Power, Pump, Test  |
| Weight                 | 90 grams (3.2 oz.)        |
| Dimensions (mm)        | 101 (l) x 95 (w) x 35 (d) |

### Dimensional Specifications



### Kit Contents

| PART# | DESCRIPTION        | QTY |
|-------|--------------------|-----|
| 8120  | Digital Controller | 1   |
| 8920  | Instructions       | 1   |
| 8411  | Wiring Harness     | 1   |
| 8410  | In-line Adaptor    | 1   |
| 8510  | Sleeve 3mm         | 2   |
| 8512  | Hose Clamps        | 2   |
| 8414  | Thermal Sensor     | 1   |
|       | Assorted Hardware  | AR  |

### EWP DIGITAL CONTROLLER OPERATION

