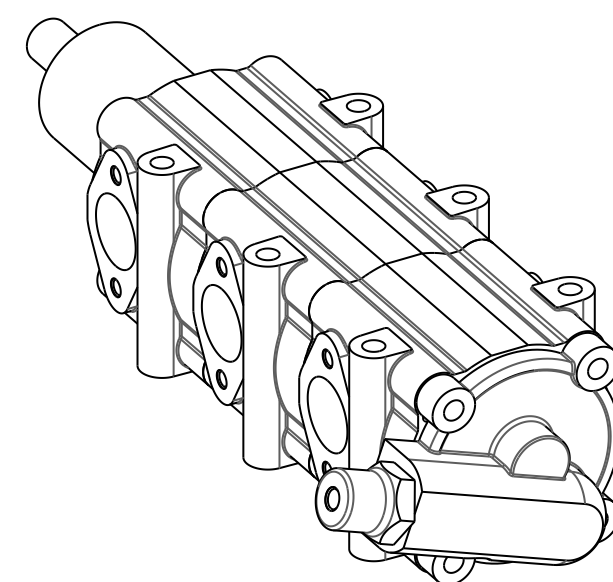
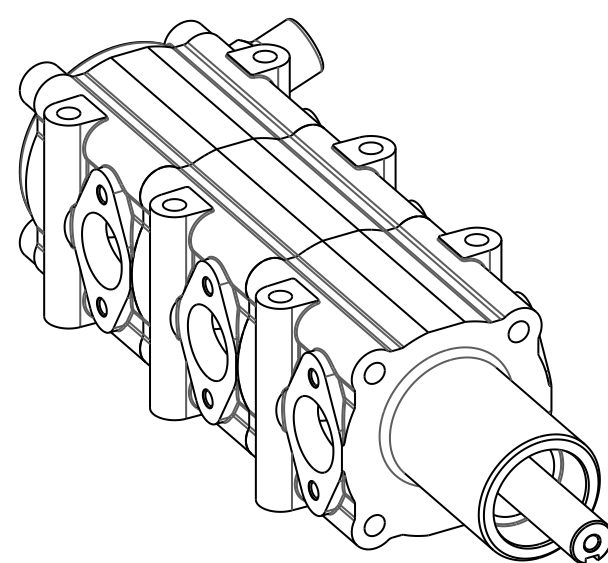
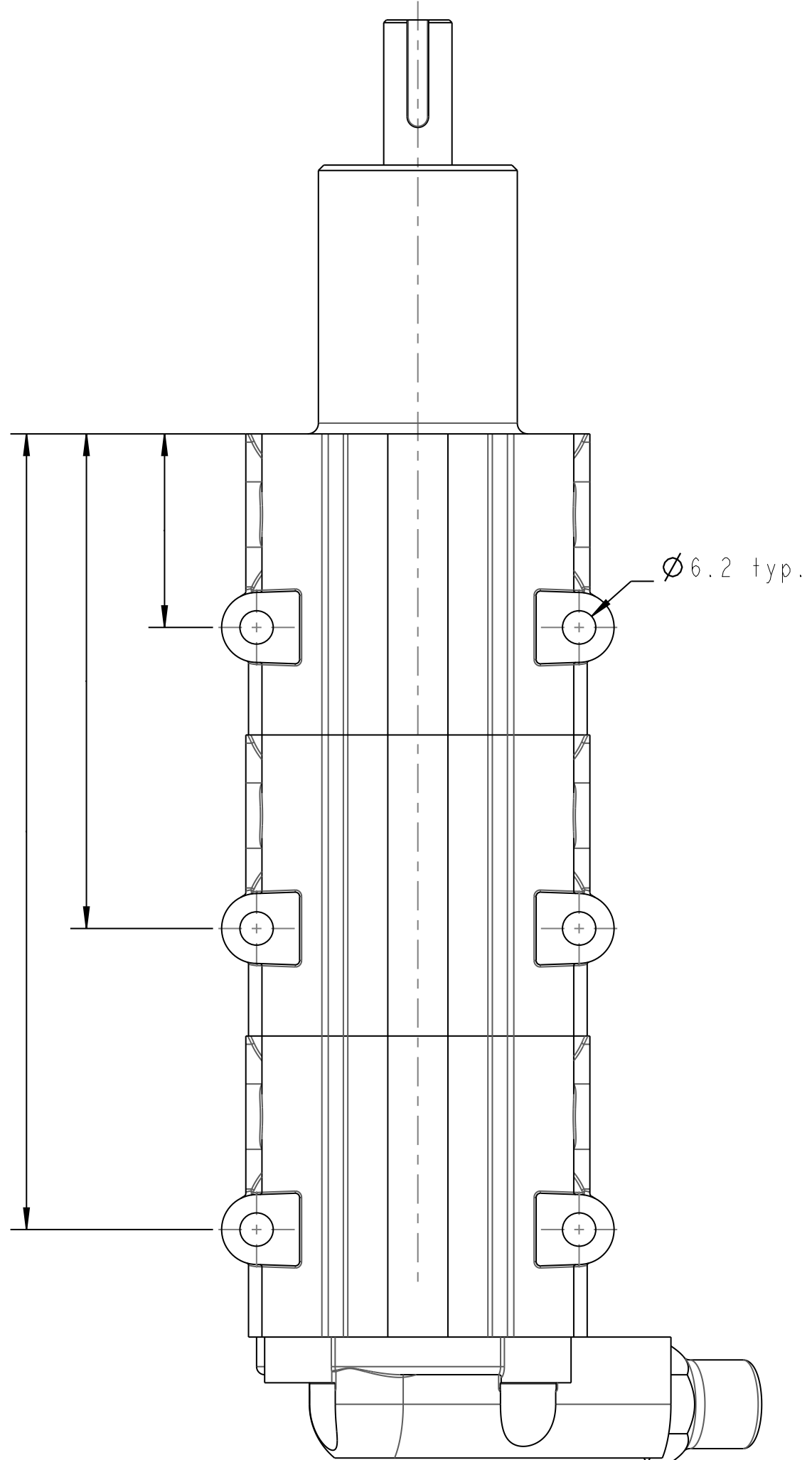
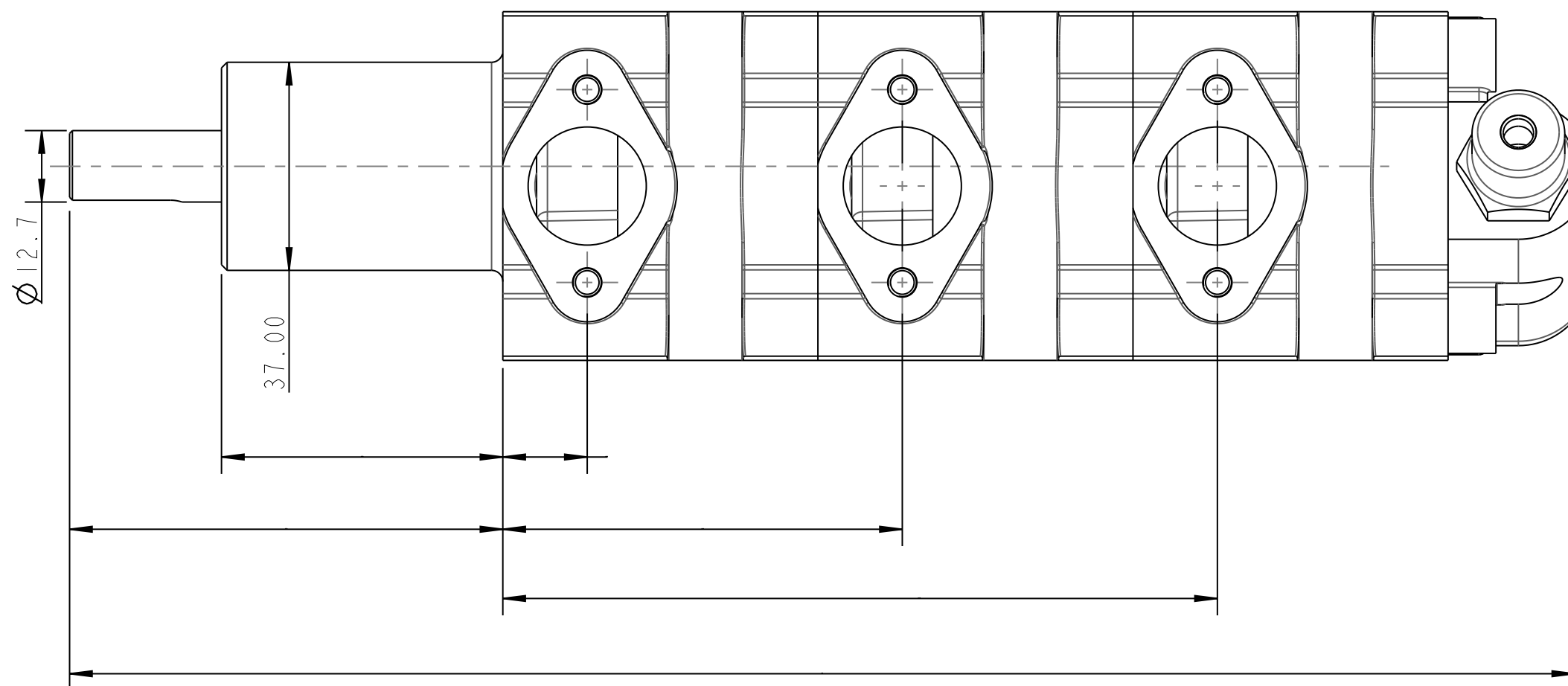
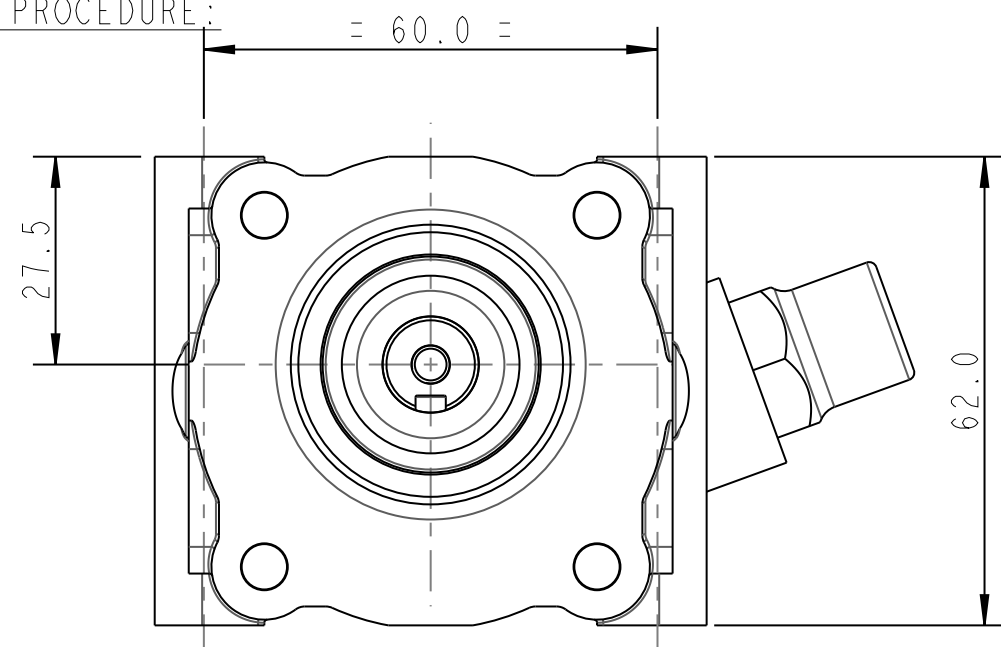


MANUFACTURING PROCEDURE:



A	17. APR. 09	INITIAL ISSUE	T.O.M	-	-
ISS	DATE	DETAILS	DRAWN	CHK'D	APP'D
DIMENSIONS IN mm ANGLES IN DEGREES.		GENERAL MACHINED FINISH N7 U.O.S			
TOLERANCES AS BELOW U.O.S.		REMOVE ALL BURRS AND SHARP EDGES			
±0.40 0 DECIMAL PLACES		DO NOT SCALE - IF IN DOUBT ASK	SCALE:	1:1	
±0.20 1 DECIMAL PLACE			QTY.	NA	
±0.10 2 DECIMAL PLACES			HEAT TREAT:	-	
±0.02 3 DECIMAL PLACES			FINISH:	CLEAN	
			WEIGHT:	--	
<p>paceproducts</p>			HOMEFIELD ROAD INDUSTRIAL ESTATE HAVERHILL SUFFOLK CB9 8QP T:01440 760960 F:01440 765049		
			DRAWING NO.		

A2 TITLE OIL PUMP ASSY - CD2000
3 STAGE, 1x14" P AND 2x14" S LONG NOSE

This drawing is the property of PACE PRODUCTS LTD. It must not be reproduced or copied and must be returned at any time on demand. This drawing is also confidential and must be disclosed to no other than an employee requiring it for the job. It is a condition under which this job is placed that no goods will be made, modified or repaired from the drawing except in accordance with an official order from PACE PRODUCTS LTD.