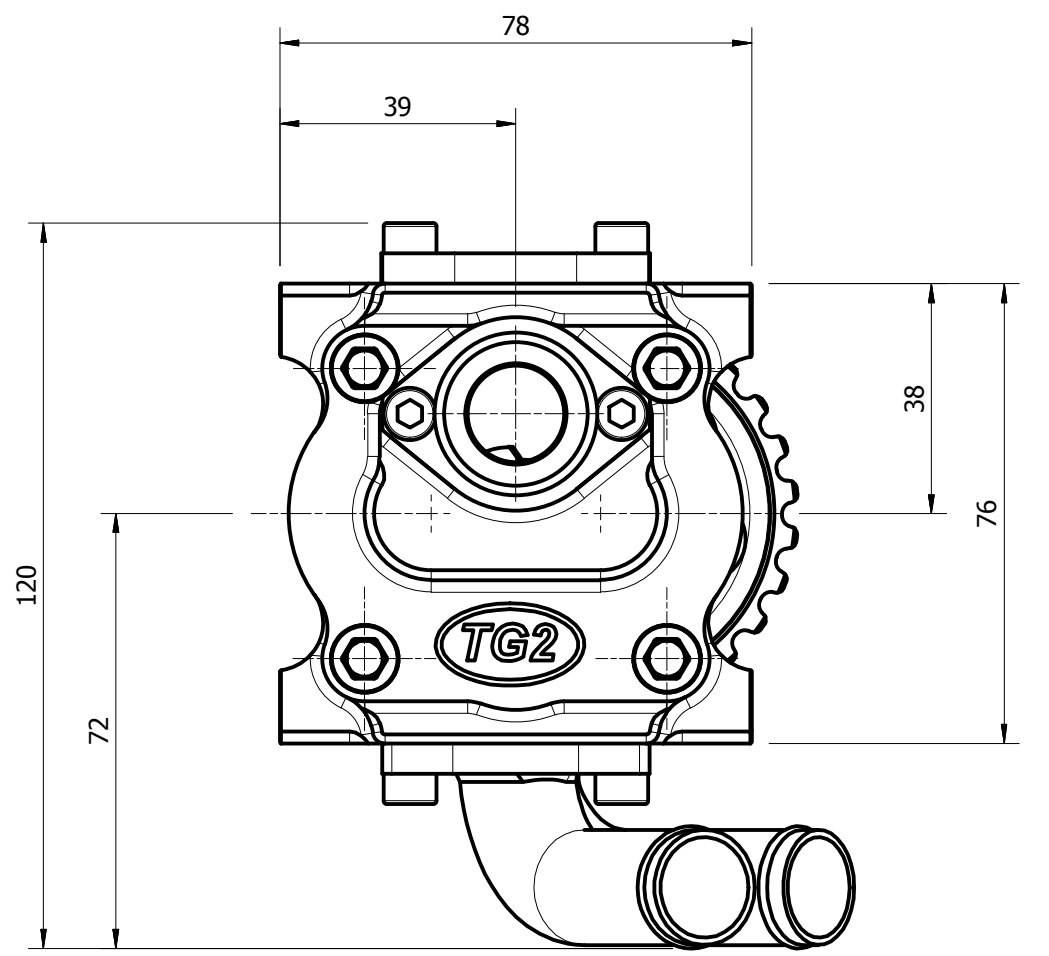
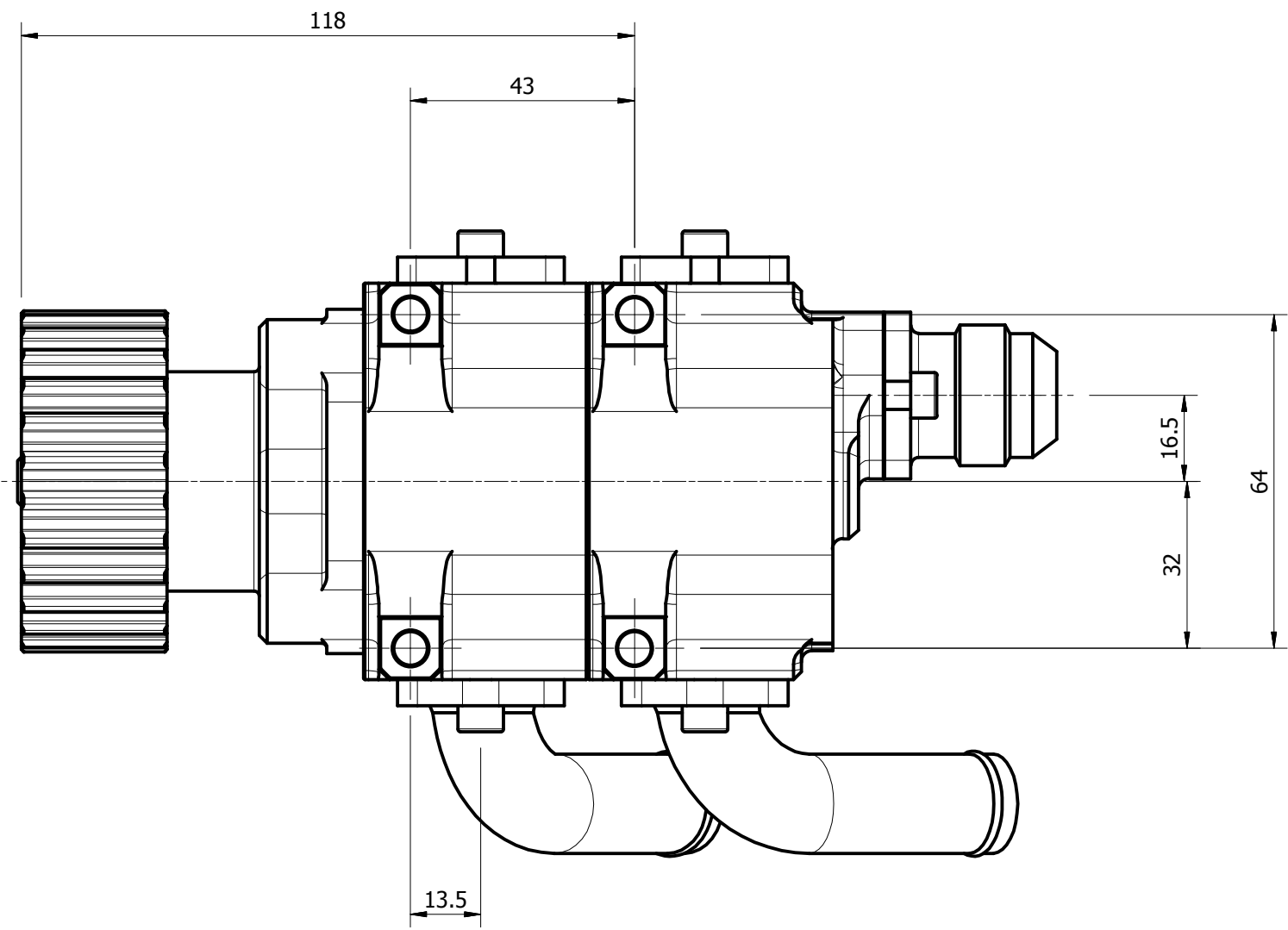
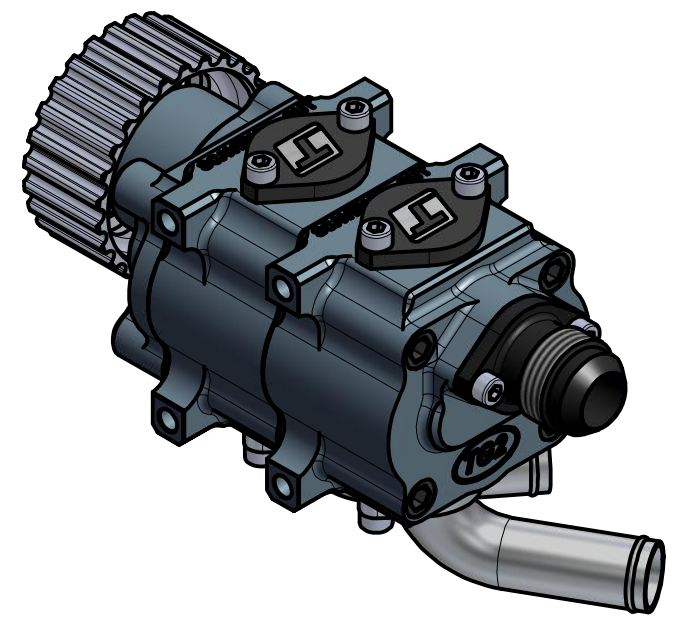
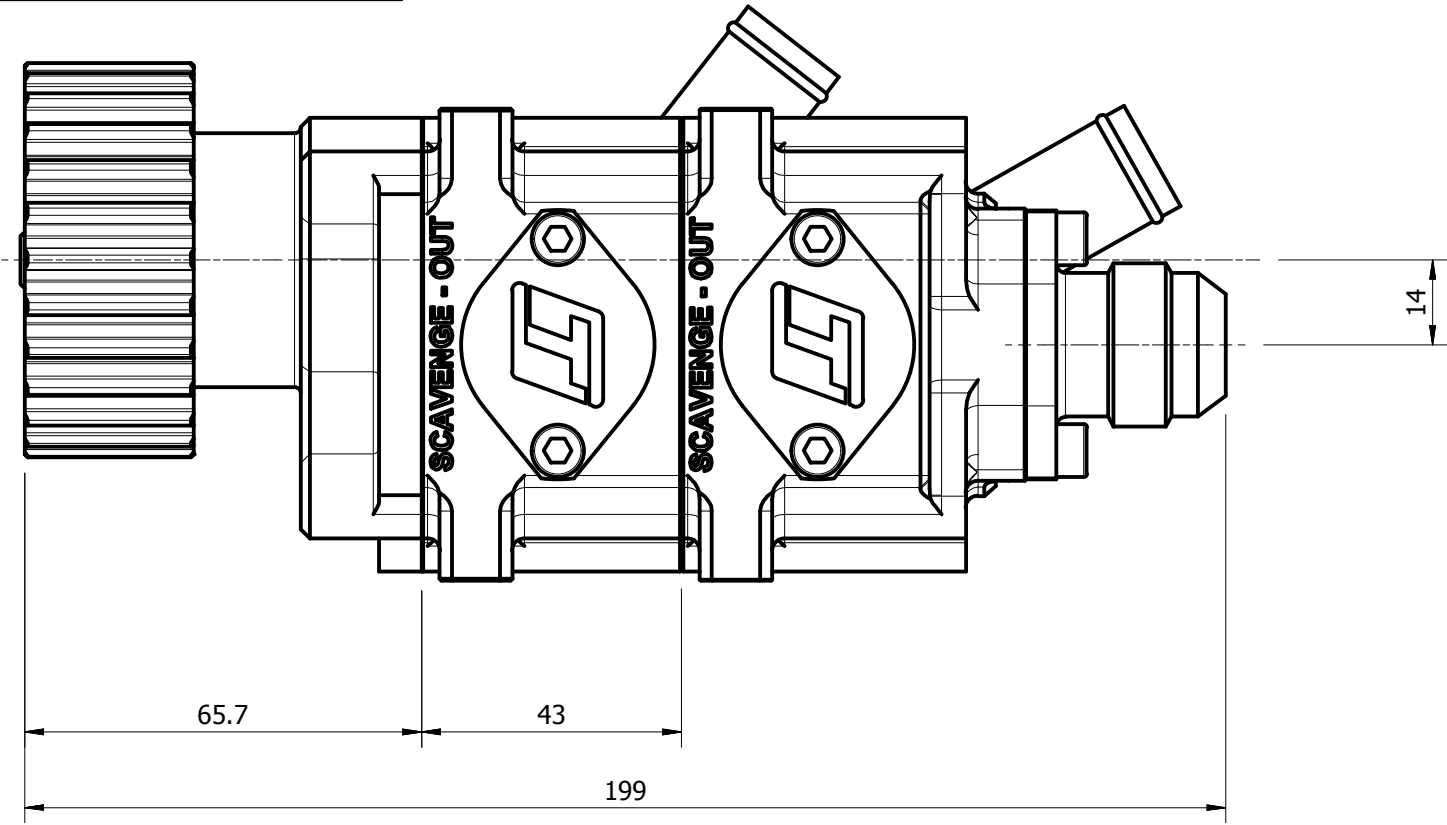
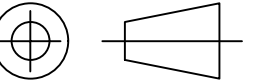


A10 160 158 01 A3

BS 8888



ALTERNATIVE PULLEYS AND FITTINGS AVAILABLE.

IF IN DOUBT ASK

A3