

PRO Rev

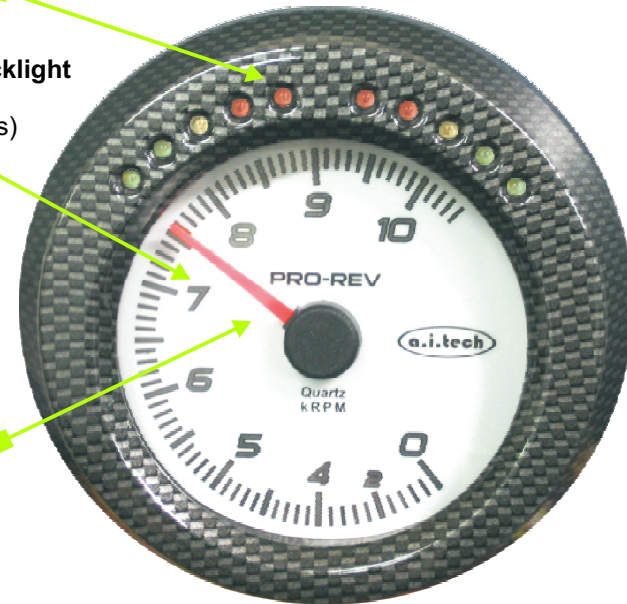
CONNECTION to any type of engine and ignition system

10 Programmable SHIFT LIGHTS
(Level and Brightness)

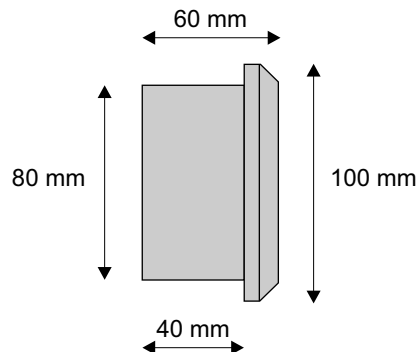
RPM Peak value record

Programmable Backlight
Colour
(240 different colours)

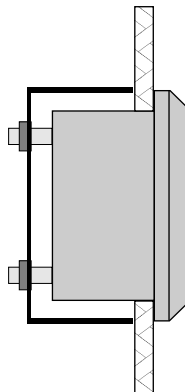
Stepper motor
driven needle



Dimensions:



Installations :



TECNO2
PERFORMANCE PRODUCTS
www.tecno2.com

Digital TACHOMETER

The PRO REV digital tachometer can be applied to any type of engine (2 or 4 stroke with 1 or more coils), using the tacho output of the ignition system, or connecting it to one of the available coils.

The Stepper motor driven needle guarantees high accuracy and definition.

Ten LEDs on the tachometer can be programmed to turn on at the desired RPM value; the backlight colour can be programmed between 240 different values.

The tachometer records the RPM Peak value.

Every function is accessed with a single push-button.

Technical specifications

Weight:	300 g.
Dimensions:	100 x 100 x 60 mm.
Power :	9 - 15 Vdc
Current Drawn :	Max 350 mA with 15 Volt supply
Inputs:	1 push-button
Memory:	RPM Peak

A.I.Tech. Products are distributed by TECNO2 S.r.l.
www.aitechinstruments.com www.aitechitaly.it