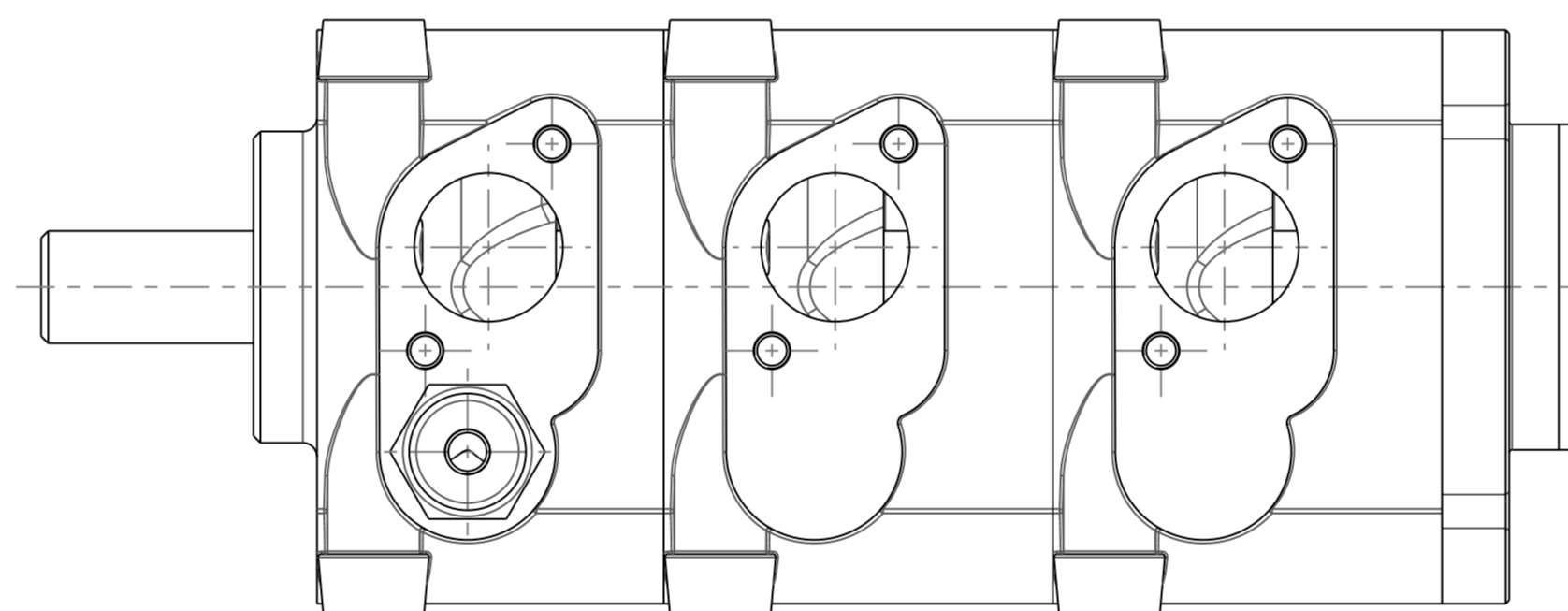
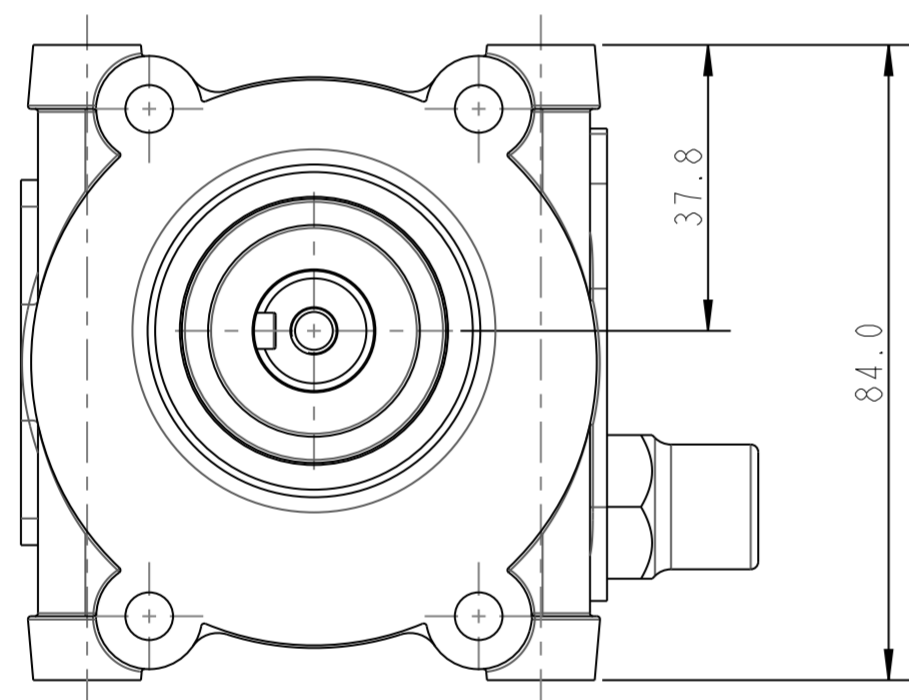
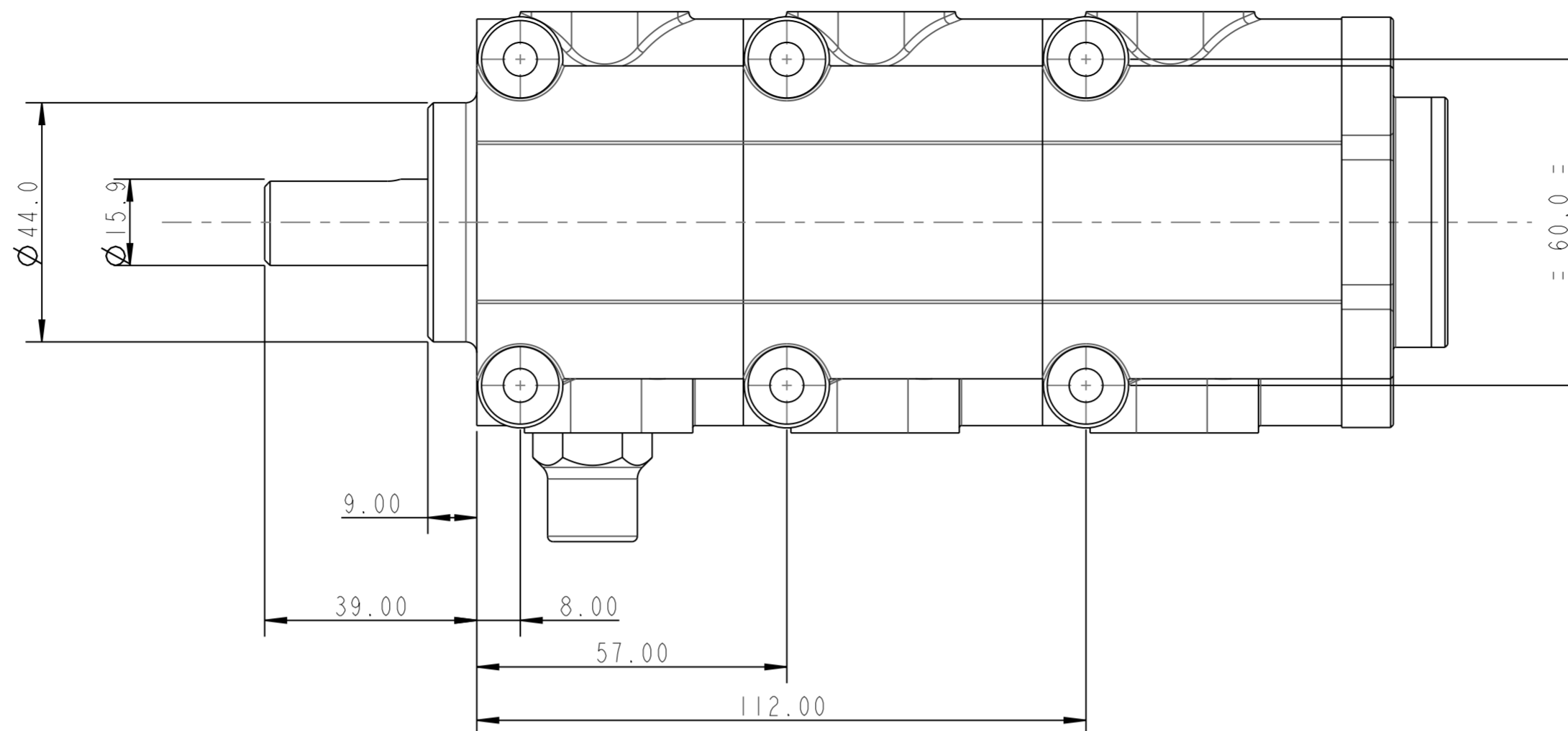
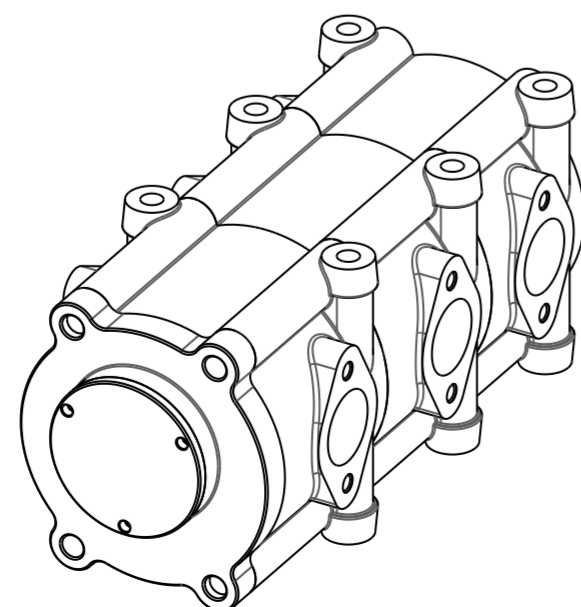
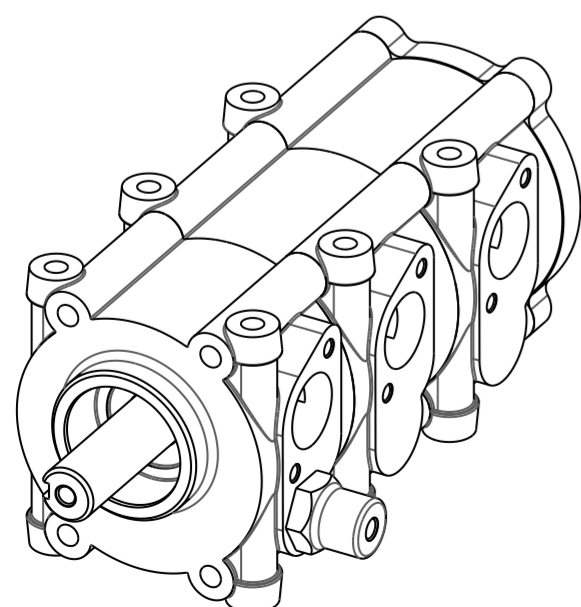


MANUFACTURING PROCEDURE:



VIEW LOOKING AT INLET FACE



A		INITIAL ISSUE				-	-
ISS	DATE	DETAILS			DRAWN	CHK'D	APP'D
DIMENSIONS IN mm ANGLES IN DEGREES.		GENERAL MACHINED FINISH N7 U.O.S					
TOLERANCES AS BELOW U.O.S.		REMOVE ALL BURRS AND SHARP EDGES					
±0.40 0 DECIMAL PLACES		DO NOT SCALE - IF IN DOUBT ASK			SCALE:	1:1	
±0.20 1 DECIMAL PLACE					QTY.		
±0.10 2 DECIMAL PLACES					HEAT TREAT:		
±0.02 3 DECIMAL PLACES					FINISH:	WEIGHT:	
<p>paceproducts</p>					HOMEFIELD ROAD INDUSTRIAL ESTATE HAVERHILL SUFFOLK CB9 8QP T:01440 760960 F:01440 765049		

A2	TITLE	DRAWING NO.
	PUMP ASSY - BG 0.6"P & 2x0.941"S, REAR BRG.	00-05-005-0-0-A

This drawing is the property of PACE PRODUCTS LTD. It must not be reproduced or copied and must be returned at any time on demand. This drawing is also confidential and must be disclosed to no other than an employee requiring it for the job. It is a condition under which this job is placed that no goods will be made, modified or repaired from the drawing except in accordance with an official order from PACE PRODUCTS LTD.